



DWM-311-GP 5G M2M PoE Modem

Key Features



5G
SA & NSA



2.5 GbE PoE
Port (PSE)



Dual-SIM
Failover



VPN
Security



Industrial
Grade Design



Management
Platform

D-Link's DWM-311-GP 5G M2M PoE Modem offers cutting-edge 5G-NR and LTE dual-mode cellular connectivity. Equipped with a 2.5G Giga Ethernet port and supporting 802.3af/at PoE(PSE), this modem ensures rapid and reliable connection to any local device, providing both power and data over a single cable for streamlined deployment.

Boost Operational Efficiency with Reliable 5G Connectivity

The DWM-311-GP 5G M2M PoE Modem delivers seamless, high-speed connectivity for real-time data transfer and remote monitoring. Designed for effortless plug-and-play installation, it's perfect for powering versatile PoE applications like parking lot management. Its built-in VPN client ensures secure, encrypted communication, protecting data across networks and enhancing operational reliability.

Empower Your M2M Network with PoE+

The DWM PoE Modem Series, featuring 802.3af/at Power over Ethernet (PoE+) technology, delivers both data and power through a single Ethernet cable. As a true PSE (Power Sourcing Equipment) solution, it streamlines M2M communication for IoT applications, reducing the need for separate electrical infrastructure and lowering installation costs. Ideal for powering surveillance cameras, digital signage, wireless access points, and IoT sensors, it offers flexible device placement without extra wiring. Its PD-Alive feature minimizes downtime, ensuring continuous operation, while PoE scheduling optimizes power use and cuts energy costs.

Applications

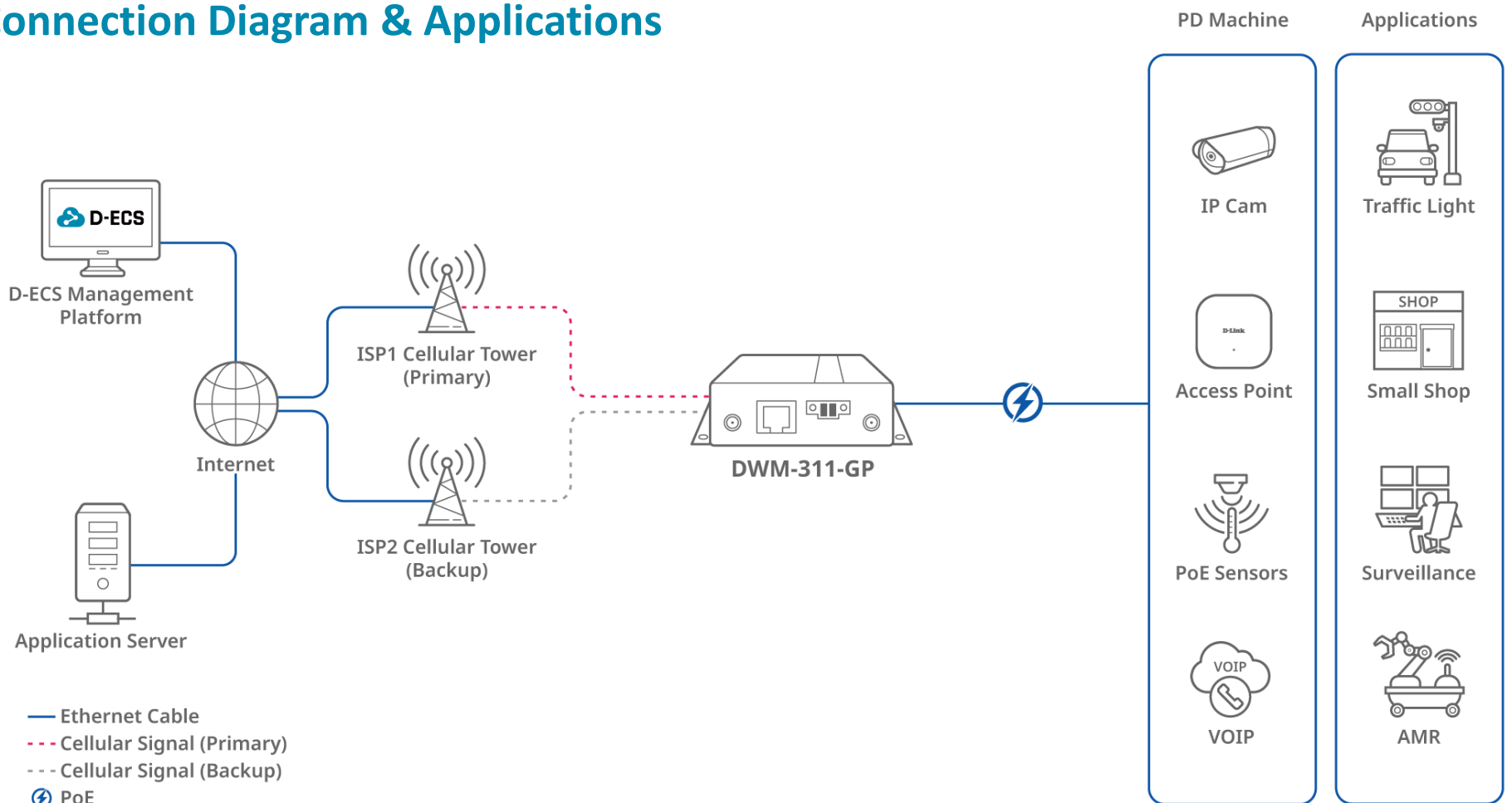
- Traffic Light
- Small Shop
- Surveillance
- AMR

Robust Build Quality

The industrial-grade casing provides reliable high-speed connectivity in extreme conditions. The corrosion-resistant zinc-plated steel case with wide operating temperature range and humidity tolerance mean that the DWM-311-GP is ready for the most demanding M2M applications in virtually any environment. Convenient wall and DIN-rail mounting options allow the DWM-311-GP to be mounted virtually anywhere to optimize signal quality.

The DWM-311-GP is also engineered to safely accept wide input voltage(VDC 48~57V) fluctuations, providing more flexibility and convenience when selecting a suitable power source, making your M2M installations significantly more reliable and much easier to deploy.

Connection Diagram & Applications



Specifications

Device Interface

- Cellular Module: 5G/4G 3GPP Rel. 16
- Cellular Standards: 5G NR(Sub-6GHz), 4G LTE(DL Cat.19/UL Cat.18)
- SIM Slot: 2* SIM (4FF Nano SIM)
- Ethernet: 1*RJ45 LAN 2.5GE with PoE-PSE 802.3at
- Power Input: DC 48-57V (TB)(2-pin)
- Antenna Connector: 4*SMA(F)-Cellular

Performance¹

- Maximum Cellular Data Throughput:
5G NSA : 3.4 Gbps (DL) / 550 Mbps (UL)
5G SA: 2.4 Gbps (DL) / 900 Mbps (UL)
LTE: 1.6 Gbps (DL) / 200 Mbps (UL)

WAN

- Cellular: NAT, Bridge
- Network Monitor: ICMP Checking

Network

- DHCP : DHCP Server
- Port Forward: Virtual Server
- DDNS: DynDNS, No-IP, Dynamic DO
- Routing: Static route, Routing information
- PoE: Power Control, ON/OFF by Network checking, Scheduled ON/OFF
- IPv4/v6

Security

- VPN Tunnel: OpenVPN, WireGuard
- VPN Usage: Client mode

Firewall

- Firewall: IPS
- Access Control: Packet Filter, URL Blocking, MAC Filter

Available Versions

SKU List³

EU SKU (HW: A1):

- **5G NR:**
n1/n3/n5/n7/n8/n20/n28/n38/n40/n41/n71/n75/n76/n77/n78
- **4G LTE:**
FDD: B1/B3/B5/B7/B8/B20/B28/B32/B71
TDD: B38/B40/B41/B42/B43

Administration

- Configuration: Web UI, SSH
- Management: D-Link D-ECS²
- System: FW Upgrade, Reboot & Reset, System Time, NTP Service
- Scheduling: reboot rule policy, working day
- SMS Service: SMS Inbox, SMS Event Management

Status

- Network Status: Connection information, Cellular Signal Quality
- Cellular Mobile: Cellular Modem Information/Status, Cellular Network Status, Cellular Signal Quality
- Client: Client List
- Security: VPN Status

Environment

- OP/Store Temp.:
Operating Temperature -30 to 70 °C (-22 °F to 158 °F)
Storage Temperature -40 to 85 °C (-40 °F to 185 °F)
- Humidity:
Operating Humidity 10% to 95% non-condensing
Storage Humidity 0 to 95% non-condensing
- Dimensions: 93 x 90 x 27 mm

Standard Package

- 4* Cellular SMA Antennas
- 1* RJ-45 Cable
- 1* Power Adapter
- 1* Terminal Block (2-pin)
- 1* DIN-Rail kit

Global/US SKU (HW: A2):

- **5G NR:**
n1/n2/n3/n5/n7/n8/n12/n13/n14/n18/n20/n25/n26/n28/n29/
n30/n38/n40/n41/n48/n66/n70/n71/n75/n76/n77/n78/n79
- **4G LTE:**
FDD: B1/B2/B3/B4/B5/B7/B8/B12/B13/B14/B17/B18/B19/B20/
B25/B26/B28/B29/B30/B32/B66/B71
TDD: B34/B38/B39/B40/B41/B42/B43/B46(LAA)/B48

Certifications & Approvals

Certification

- CE
- UKCA

¹ Data rates are theoretical. Data transfer rate depends on network capacity and signal strength.

² D-ECS License fees will apply.

³ Supported frequency band is dependent upon hardware SKU.

