

Omni-Directional Antenna for 2.4 ISM Band

Version 1.1

ANT24-0500

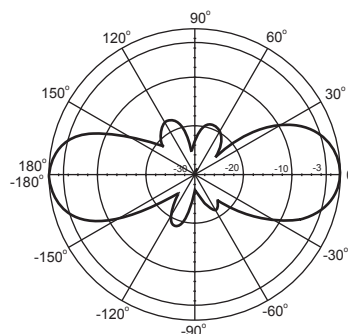
Electrical Specification

Frequency range	2400 MHz - 2500 MHz
Gain	5.0 dBi
VSWR	2.0 : 1 Max.
Polarization	Linear, vertical
HPBW / horizontal	360°
HPBW / vertical	32°
Power handling	20 W (cw)
Impedance	50 Ohms
Connector	N female
Cable	25 cm, RG58/U



Environmental & Mechanical Characteristics

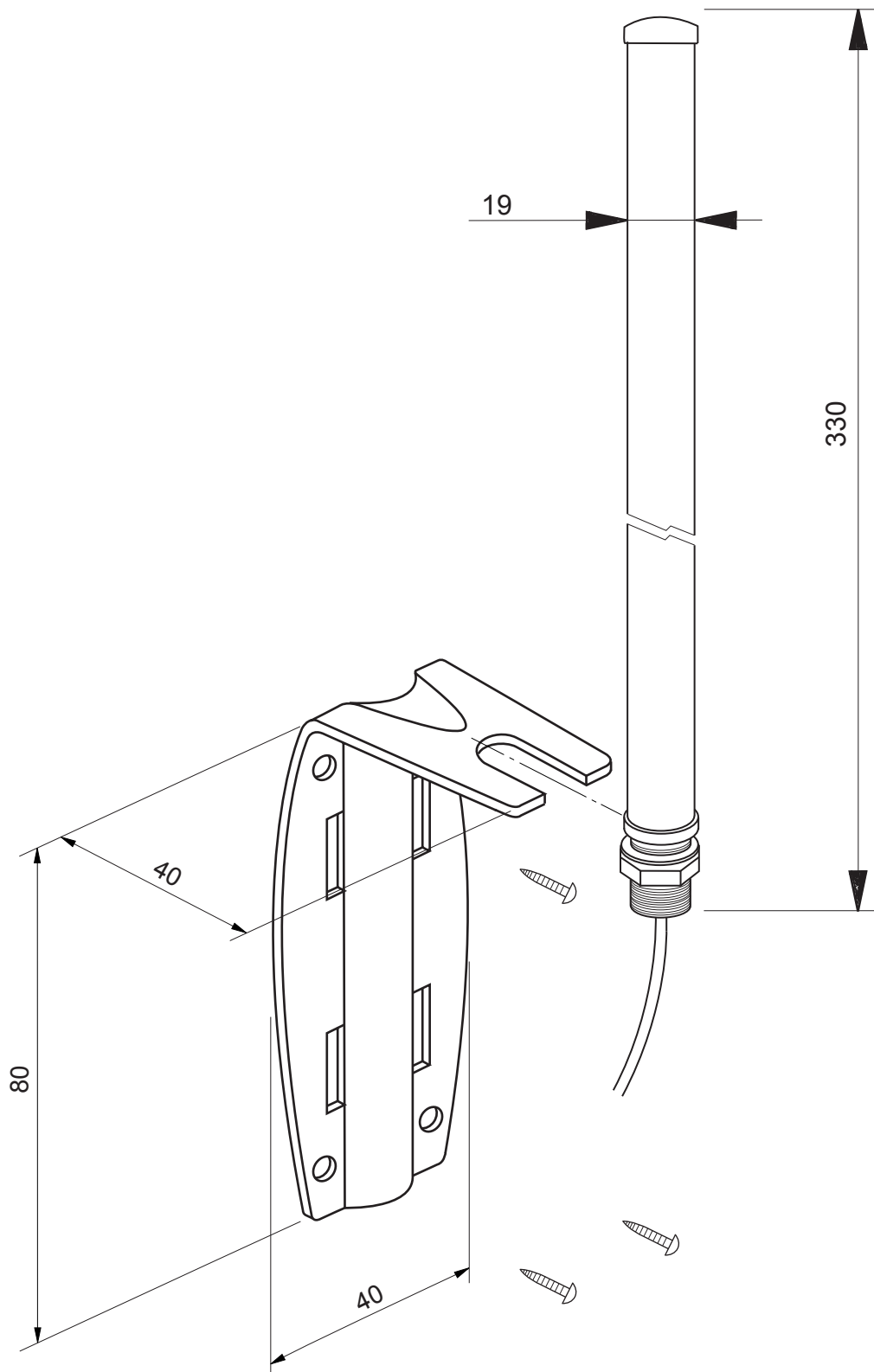
Survival wind speed	180 km/hr
Temperature	- 40°C to +80°C
Humidity	100% @ 25° C
Lightning protection	DC ground
Radome color	Gray-white
Radome material	Fiberglass
Radiator material	Micro striple line
Weight	0.8kgw
Dimensions	330 x Ø19 mm



Omni-Directional Antenna for 2.4 ISM Band

Version 1.0

Mounting Configuration



L-Type Mounting