



DCS-F5838-4M-SL

4MP Network IR PTZ Dome Camera

Key Features

Optics

- 38X Optical Zoom
- Starlight illumination
- Accurate and fast focusing
- Smart IR, up to 250m (820ft) IR distance
- Optical glass window with higher light transmittance
- IR anti-reflection window to increase the infrared transmittance
- Gyroscope

Compression

- 4 Megapixel image
- Ultra 265, H.265, H.264, MJPEG
- Triple streams
- Customized OSD
-

Network

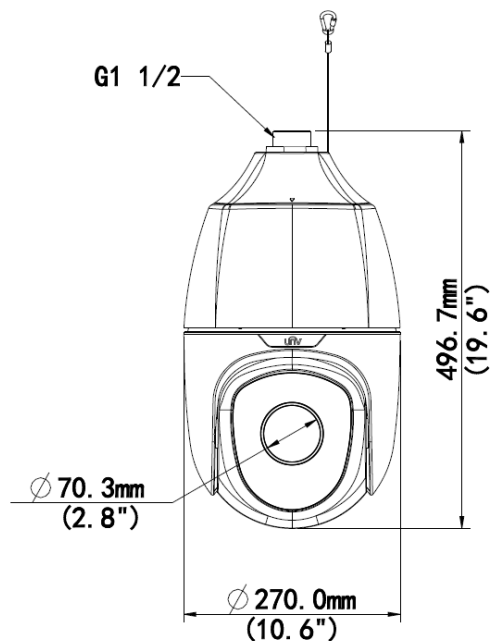
- ONVIF Conformance

Structure

- Innovative snow-removing functionality
- More effective heat dissipation system
- Intelligent temperature control technology
- IP66
- PoE++ (IEEE 802.3bt)

Camera					
Sensor	1/1.8", 4.0 megapixel, progressive scan, CMOS				
Lens	5.7 ~ 216.6mm, AF automatic focusing and motorized zoom lens				
Digital Zoom	16				
Optical Zoom	38				
DORI Distance	Lens (mm)	Detect (m)	Observe (m)	Recognize (m)	Identify (m)
	5.7	97.5	39	19.5	9.8
	216.6	3030	1212	606	303
Angle of View (H)	58.5° ~ 2.1°				
Angle of View (V)	34.9° ~ 1.2°				
Angle of View (O)	72.0° ~ 2.5°				
Shutter	Auto/Manual; shutter time: 1 ~ 1/100000s				
Minimum Illumination	Colour: 0.0005Lux (F1.3, AGC ON) 0Lux with IR				
Iris	Auto/Manual; F1.3 ~ F4.6				
Day/Night	IR-cut filter with auto switch (ICR)				
Digital noise reduction	2D/3D DNR				
S/N	>55dB				
IR Range	UP to 250m (820ft)				
Defog	Optical Defog & Digital Defog				
WDR	120dB				
Video					
Video Compression	Ultra 265, H.265, H.264, MJPEG				
H.264 code profile	Baseline profile, Main Profile, High Profile				
Frame Rate	Main Stream: 4MP (2688*1520), Max 60fps; Sub Stream: 2MP (1920*1080), Max 60fps; Third Stream: D1 (720*576), Max 60fps				
HLC	Supported				
BLC	Supported				
EIS	Supported (Gyroscope)				
OSD	Up to 8 OSDs				
Privacy Mask	Up to 24 areas				
ROI	Up to 8 areas				
Motion Detection	Up to 4 areas				
Smart					
Behavior Detection	Line crossing detection, Intrusion detection, Motion detection, Auto tracking				
Exception Detection And Statistics	Object Moving, Object Left				
Recognition	Face detection, Audio detection				
Statistical Analysis	People counting				
General Function	Watermark, IP Address Filtering, Tampering Alarm, Alarm input, Alarm output, Access Policy, ARP Protection, RTSP Authentication, User Authentication				

Dimensions



Audio	
Audio Compression	G.711
Two-way audio	Supported
Suppression	Supported
Sampling Rate	8KHZ
Storage	
Edge Storage	Micro SD, up to 256GB
Network Storage	ANR
Network	
Protocols	IPv4, IGMP, ICMP, ARP, TCP, UDP, DHCP, PPPoE, RTP, RTSP, RTCP, DNS, DDNS, NTP, FTP, UPnP, HTTP, HTTPS, SMTP, 802.1x, SNMP, QoS
Compatible Integration	ONVIF (Profile S, Profile G, Profile T), API
Pan & Tilt	
Pan Range	360° (endless)
Pan Speed	0.1°/s ~ 74°/s Preset speed: 300°/s
Tilt Range	-20° ~ 90° (auto reverse)
Tilt Speed	0.1° ~ 74°/s Preset speed: 240°/s
Number of Presets	1024
Patrol	Preset patrol, route patrol, recorded patrol
Home Position	Supported
Interface	
Audio I/O	Audio cable Input: impedance 1k Ω ; amplitude 2V [p-p] Output: impedance 600 Ω ; amplitude 2V [p-p]
Alarm I/O	2/1
Serial Port	1 RS485
Network	1 RJ45 10M / 100M Base-TX Ethernet
General	
Power	AC 24V \pm 25%, DC 24V \pm 25%, PoE++ (IEEE 802.3bt) (IEEE802.3bt switch required) Power consumption: 16 ~ 51W
Dimensions (\varnothing x H)	\varnothing 270 x 496.7mm (\varnothing 10.6" x 19.6")
Weight	9.69kg (21.4lb)
Working Environment	-40°C ~ 70°C (-40°F ~ 158°F), Humidity: \leq 95% RH (non-condensing)
Ingress Protection	IP66
Reset Button	Supported