

DWM-550-G 5G M2M Router

Key Features



5G
SA & NSA



Dual-SIM
Failover



Eth & 4G/5G
Failover



Wi-Fi 6
AX 1800



Industrial
Grade Design



VPN
Security

D-Link's DWM-550-G 5G M2M Router provides 5G-NR and 4G-LTE dual-mode connectivity. It is equipped with Four Giga Ethernet ports, one of which can be configured as an Ethernet WAN. This allows easy switching between broadband and 4G/5G. Additionally, Wi-Fi 6 AX1800 connectivity is provided, making it suitable for a wide range of M2M applications.

5G M2M Network

The DWM-550-G 5G cellular router is equipped with automatic WAN failover, superior connection capacity through its cutting-edge 5G NR (FR1) technology. This device supports both SA and NSA 5G architectures and is backward compatible with 4G and 3G, ensuring that throughput is high and latency low.

Superior Connection Capability

Empower your operations with the DWM-550-G, which provides a backup connection in case of disruption, thereby ensuring stable connectivity. It features auto-failover, load balancing, and multiple WAN switching options to maintain superb connectivity. The failover capabilities across dual SIM cards and between 5G and Ethernet WAN connections ensure seamless service without interruptions. The device is equipped with multiple VPN protocols including IPSec, OpenVPN, PPTP, L2TP, GRE, and WireGuard. These VPN features enhance security by facilitating encrypted connections, offering versatile tunneling options, and enabling secure remote access. Whether for data protection, creating secure tunnels for remote work, or connecting multiple sites, these VPN capabilities ensure that your network remains secure and flexible.

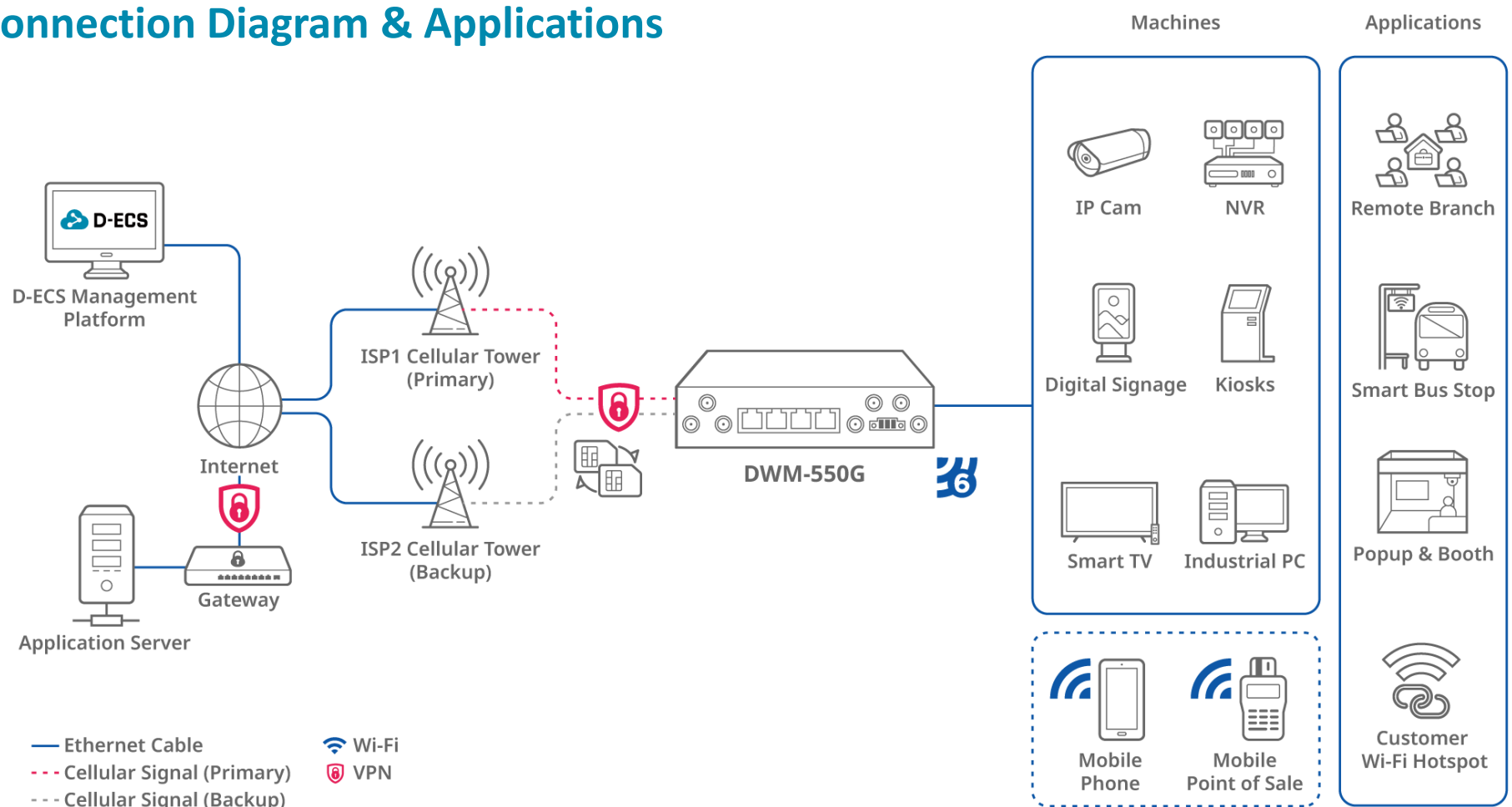
Applications

- Remote Branch
- Smart Bus Stop
- Popup & Booth
- Wi-Fi Hotspot

Suitable for Harsh Environment

The DWM-550-G is designed to withstand harsh environments with its metal casing ensuring durability and operates within a broad temperature range from -30 to 70°C. It supports a wide input voltage range of DC 12-36V. Additionally, the model features built-in Network Address Translation (NAT) and bridge mode, simplifying network setup while enhancing security and interconnectivity.

Connection Diagram & Applications



Specifications

Device Interface

- Cellular Module: 5G/4G 3GPP Rel. 16
- Cellular Standards: 5G NR(Sub-6GHz), 4G LTE(DL Cat.19/UL Cat.18)
- SIM Slot: 2*SIM(Nano SIM)
- Ethernet: 1*WAN/LAN GE, 3*LAN GE
- WiFi: Wi-Fi6 AX1800(2.4G/5GHz)
- Power Input: DC 12-36V (TB)
- Antenna Connector: 4*SMA(F)-Cellular, 2*SMA(RP-F)-WiFi

Performance¹

- Maximum Cellular Data Throughput:
5G NSA : 3.4 Gbps (DL) / 550 Mbps (UL)
5G SA: 2.4 Gbps (DL) / 900 Mbps (UL)
LTE: 1.6 Gbps (DL) / 200 Mbps (UL)

WAN

- Multi-WAN: Cellular, Ether-WAN, Failover, Load Balance
- Cellular: NAT, Bridge
- Ether-WAN: Dynamic IP, Static IP, PPPoE
- Network Monitor: ICMP Check/DNS Query

Network

- LAN & VLAN: DHCP Server/Relay, Port/Tag based VLAN
- Port Forward: : NAT Loopback, Special AP&ALG, DMZ, Virtual Server & Computer, VPN Pass-through
- Routing: Static, Dynamic RIPv1/v2, OSPF, BGP
- DDNS: DynDNS, No-IP, Dynamic DO
- QoS: Rule for Service (DSCP, TOS, Well-known Service)
- IGMP, IPv4/v6

Wi-Fi

- Standard: IEEE 802.11 ax/ac/n/g/b/a/h
- Modes: AP Router
- Function: Multi SSID, Auto Channel Selection, Station Isolation
- Security: WPA2-PSK (AES), WPA2, WPA-PSK/WPA2-PSK(AES,TKIP/AES), WPA/WPA2, WPA3-SAE(AES), WPA2-PSK/WPA3-SAE(AES), WPA3-Enterprise, 802.1x
- Advanced Function: WIDS, Wi-Fi 5G Band Steering
- 2.4GHz Data Rate: 574 Mbps
- 5GHz Data Rate: 1201 Mbps

External Server

Ext. Server: Email, Syslog, RADIUS Server

Service

- Cellular Toolkit: Data usage, SMS, SIM PIN, Network Scan
- Event Handling: Event Management, Notifying Events

VPN

- VPN Tunnel: IPSec, OpenVPN, PPTP,L2TP,GRE, WireGuard
- IPsec Scenario: Site/Host to Site/host; Dynamic VPN

Security

- Firewall: SPI Firewall with Stealth Mode, IPS, Block WAN Ping
- Access Control: Packet Filter, URL Blocking, MAC Control

Administrator

- Configuration: Web UI, CLI, Command Script
- Management: SNMPv1/2/3, D-Link D-ECS², RESTful API
- System: FW Upgrade, Backup & Restore Config, Reboot & Reset, System Log, NTP Service
- FTP: FTP, SFTP
- Diagnostic: Diagnostic Tools, Ethernet Port Setup

Status

- Network Status: Connection information, Cellular Signal Quality
- Cellular Mobile: WAN & LAN Interface Network Status, Cellular Modem Status
- Security: VPN Status, Firewall Status
- Statistics&Reports: Connection Session, Login Statistics, Cellular Usage, Cellular Signal

Environment

- OP/Store Temp.:
Operating Temperature -30 to 70 °C (-22 °F to 158 °F)
Storage Temperature -40 to 85 °C (-40 °F to 185 °F)
- Humidity:
Operating Humidity 10% to 95% non-condensing
Storage Humidity 0 to 95% non-condensing
- Dimensions: 160 x 125 x 35mm

Standard Package

- 4* Cellular SMA Antennas
- 2* WiFi RP-SMA Antennas
- 1* RJ-45 Cable
- 1* Power Adapter
- 1* Terminal Block (3-pin)

Available Versions

SKU List³

EU SKU (HW: A1):

- 5G NR:**
n1/n3/n5/n7/n8/n20/n28/n38/n40/n41/n71/n75/n76/n77/n78
- 4G LTE:**
FDD: B1/B3/B5/B7/B8/B20/B28/B32/B71
TDD: B38/B40/B41/B42/B43

Global/US SKU (HW: A2):

- 5G NR:**
n1/n2/n3/n5/n7/n8/n12/n13/n14/n18/n20/n25/n26/n28/n29/
n30/n38/n40/n41/n48/n66/n70/n71/n75/n76/n77/n78/n79
- 4G LTE:**
FDD: B1/B2/B3/B4/B5/B7/B8/B12/B13/B14/B17/B18/B19/B20/
B25/B26/B28/B29/B30/B32/B66/B71
TDD: B34/B38/B39/B40/B41/B42/B43/B46(LAA)/B48

Certifications & Approvals

Certification

- CE
- UKCA

¹ Data rates are theoretical. Data transfer rate depends on network capacity and signal strength.

² D-ECS License fees will apply.

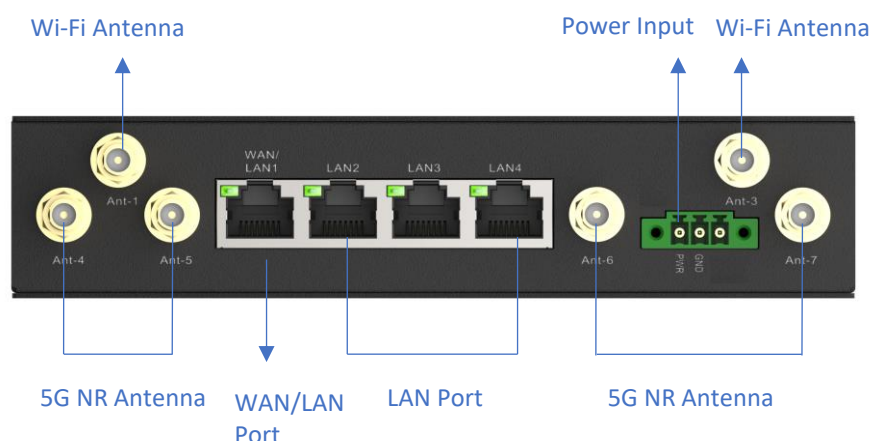
³ Supported frequency band is dependent upon hardware SKU.



Status LEDs

SIM A SIM B

Reset Button



Wi-Fi Antenna

Power Input Wi-Fi Antenna

5G NR Antenna

WAN/LAN Port

LAN Port

5G NR Antenna