



# User Manual

**5G/LTE Outdoor CPE**

DWP-1010

---

# Preface

D-Link reserves the right to revise this publication and to make changes in the content hereof without obligation to notify any person or organization of such revisions or changes.

## Manual Revisions

Revision	Date	Description
2.00	November 22, 2023	US Technical specification update

## Trademarks

D-Link and the D-Link logo are trademarks or registered trademarks of D-Link Corporation or its subsidiaries in the United States or other countries. All other company or product names mentioned herein are trademarks or registered trademarks of their respective companies.

Copyright © 2023 by D-Link Corporation.

All rights reserved. This publication may not be reproduced, in whole or in part, without prior expressed written permission from D-Link Corporation.

# Table of Contents

Package Contents.....	1
System Requirements .....	1
Introduction .....	2
Hardware Overview.....	3
Bottom View.....	3
Side Panel.....	4
Installation.....	5
Connecting the SIM Card.....	5
Connecting an Ethernet Cable.....	6
Connecting to Your Network .....	7
Maintenance Notice.....	8
Warning .....	8
Hot Surface Caution.....	8
Configuration.....	9
Getting Started .....	9
Status .....	11
Network .....	11
Modem.....	11
Signal .....	12
Setup.....	13
Network .....	13
System.....	21
WiFi.....	24
Administrator .....	25
Manager.....	25
Utility .....	29
Specifications.....	33
Regulatory Information .....	34

# Package Contents

- DWP-1010 5G/LTE Outdoor CPE
- PoE Injector (53Vdc, 0.6A Power Supply)
- AC Power Cable
- Pole Mount Kit - Stainless Clamp x 2
- Wall Mount Kit - Screw Anchor (M6x25mm) / Screws (M3.5 X16mm)
- RJ45 Cable (10m) for connection between the modem and the PoE Injector
- Warranty Card
- GPL Sheet

If any of the above items are missing, please contact your reseller.

# System Requirements

- Computer with Windows, Macintosh, or Linux-based operating system with an installed Ethernet adapter.
- Java-enabled browser such as Internet Explorer 11+, Chrome 94 or higher, Firefox 93 or higher, Safari 15 or higher, or Edge 94 or higher.
- An active 5G/LTE service plan from a compatible carrier\*.

\*Subject to services and service terms of your carrier

# Introduction

The D-Link DWP-1010 5G/LTE Outdoor CPE is an easy-to-deploy, high performance 5G LTE router. It features a Gigabit Ethernet port (PoE) and 5G LTE mobile broadband for maximum reliability and mobility for intense Internet applications in remote areas in lieu of cable and DSL connections. Rugged design and flexible deployment options make the DWP-1010 ideal for both large-scale and last-mile deployments.

Establish your high-speed 5G LTE mobile service with the DWP-1010 by installing a SIM card and enjoy fast downlink speeds of up to 3.4Gbps<sup>1</sup> and uplink speeds up to 900Mbps<sup>1</sup>, giving the speed you need for fast, responsive triple-play services.

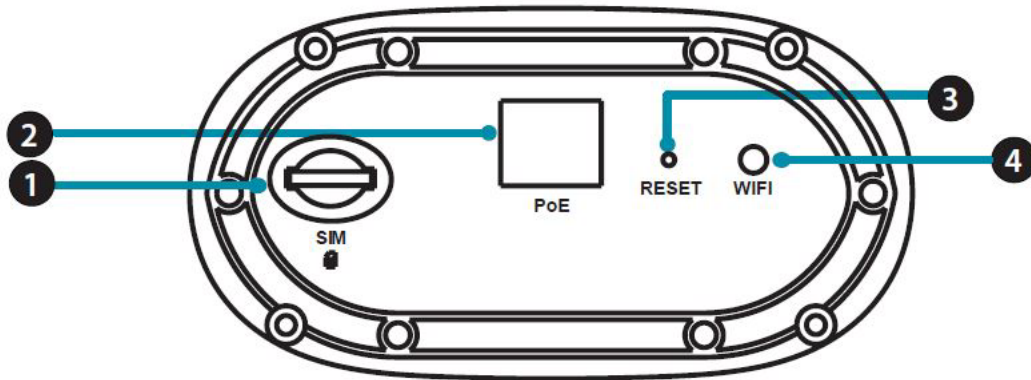
The industrial-grade casing means that the DWP-1010 provides reliable high-speed connectivity in extreme conditions. Compliant with IP65 enclosure rating, the weather resistant housing helps protect it from dirt and rain. Pole mounting and sturdy brackets allow the device to be installed virtually anywhere for optimal connectivity, giving you the freedom to install it right where signal is strongest.

The DWP-1010 features built-in 4kV surge protection on its PoE Ethernet port and requires no external surge protection devices. The enclosure is also able to resist direct static discharges of up to 4 kV. This effectively protects the device against sudden electrical surges caused by events such as lightning strikes or unstable electrical current. This protection significantly reduces the chance of equipment being damaged by electrical surges, and effectively lowers maintenance costs by minimizing the need for expensive equipment repairs or replacement.

<sup>1</sup> Data rates are theoretical. Data transfer rate depends on network capacity, signal strength, and environmental factors.

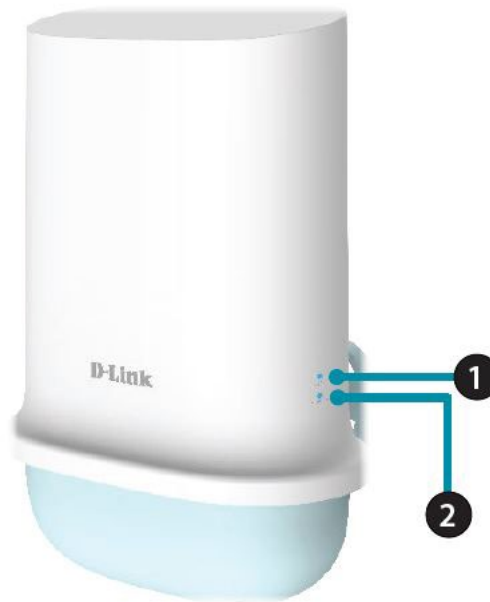
# Hardware Overview

## Bottom View



1	<b>SIM Card Socket</b>	Insert a 5G/LTE capable SIM card into the slot to activate 5G/LTE service.
2	<b>PoE</b>	PoE (power over Ethernet) connector.
3	<b>Reset</b>	Press for 10 seconds to reset the device to factory default settings. The Signal LED should be on and off during reset.
4	<b>Wi-Fi Button</b>	Click to enable Wi-Fi. (For installation purposes only)

## Side Panel

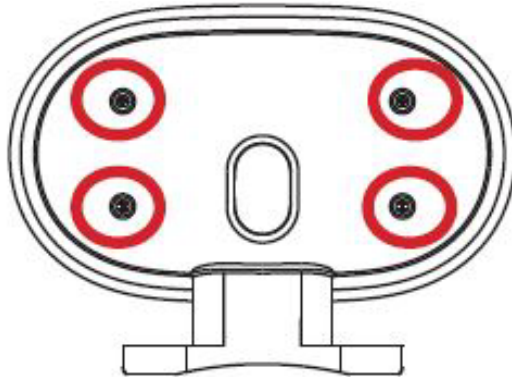


1	<b>Signal LED</b>	Indicates the signal strength of the device.	Flashing red: No signal Solid red: Moderate signal Flashing blue: Good signal Solid blue: Excellent signal
2	<b>5G/4G/3G</b>	Indicates the connection type.	Off: No signal Solid Green: LTE/3G Solid Blue: 5G

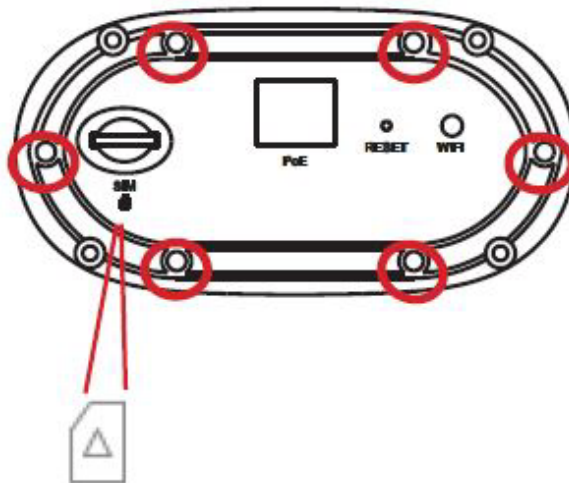
# Installation

## Connecting the SIM Card

1. Remove the four screws on the bottom of DWP-1010 to remove the protective base.



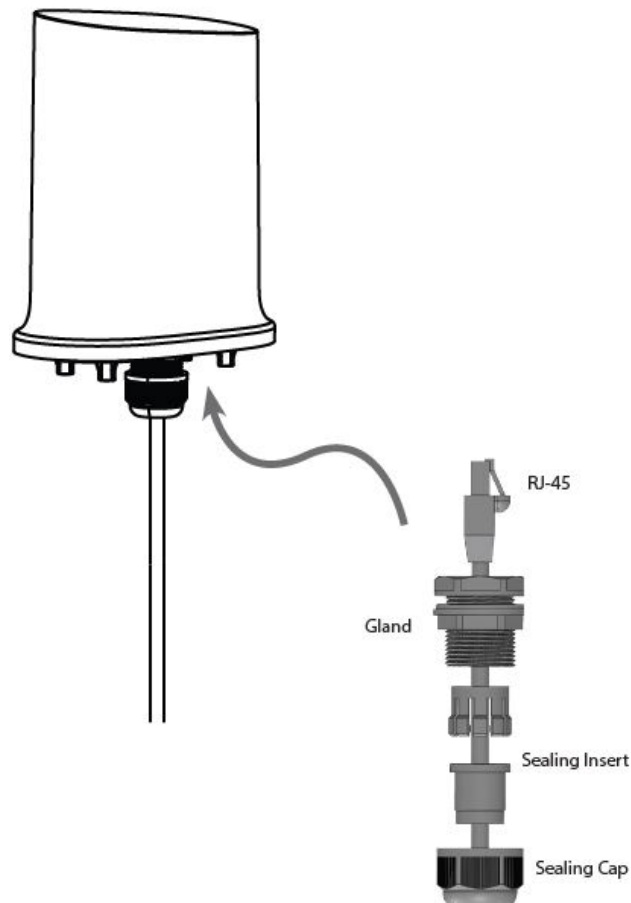
2. Remove the six screws around the water-resistant component. Insert the SIM card according to the orientation label on the device.





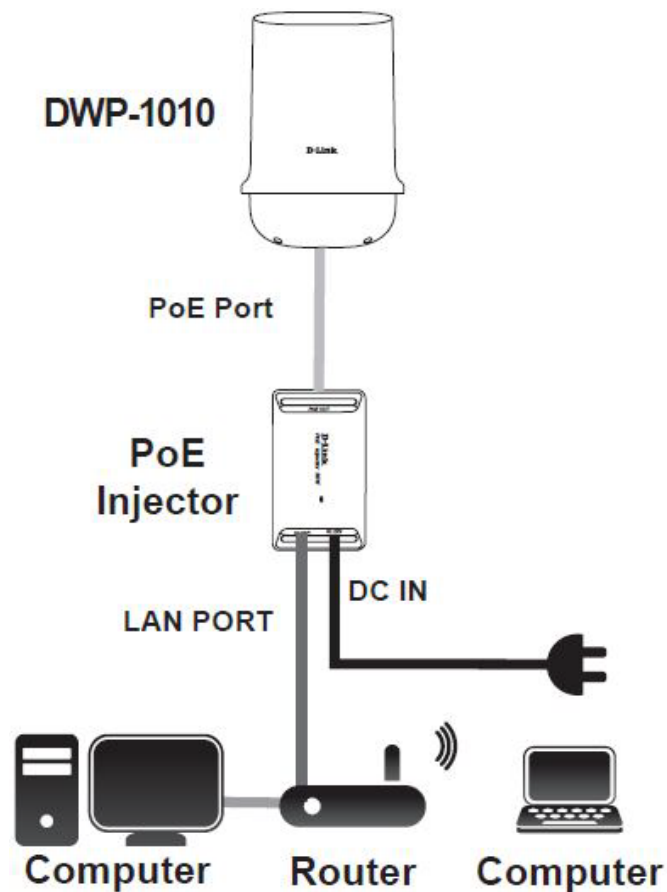
## Connecting an Ethernet Cable

1. Separate the sealing cap and sealing insert of the waterproof connector.
2. Insert the RJ-45 connector to the PoE port by threading an Ethernet cable through gland > sealing insert > sealing cap.
3. Place the water-resistant component back to DWP-1010.
4. Attach the sealing insert to the gland and make sure the assembly is fixed on the bottom of the water-resistant component.
5. Attach the sealing cap and tighten until snug.
6. Secure the water-resistant component with six (M2.5x6 mm) screws. Position it as the arrow indicated. (The arrow is located on the bottom.)
7. Thread the RJ-45 cable through the protective base.
8. Reinstall the protective base with the four (M3x4 mm) screws. (Skip this step if you're using a wall mount)



## Connecting to Your Network

1. Connect the Ethernet cable from the DWP-1010 to the “PoE” port of the PoE Injector.
2. Connect an Ethernet cable from a router/switch to the “LAN” port of the PoE Injector.
3. Attach the power cable to the power socket of the PoE Injector and plug the other end of the cable into an electrical outlet.



## Maintenance Notice

### Warning



**Attention**

- Only use the power cable that comes with the package.
- Over voltage is dangerous and may damage the product.
- Do not open or repair the case yourself. If the product is too hot, turn off the power immediately and have it repaired at a qualified service center.
- The 5G/LTE Outdoor CPE shall not be installed in the same area with PoE injector during the environment temperature is above 50°C.

### Hot Surface Caution



**CAUTION:** The surface temperature of the enclosure can be very high. Especially after operating for an extended period of time, or when installed in an enclosed space without air circulation, or in a high ambient temperature location.

**DO NOT** touch the surface while servicing.

# Configuration

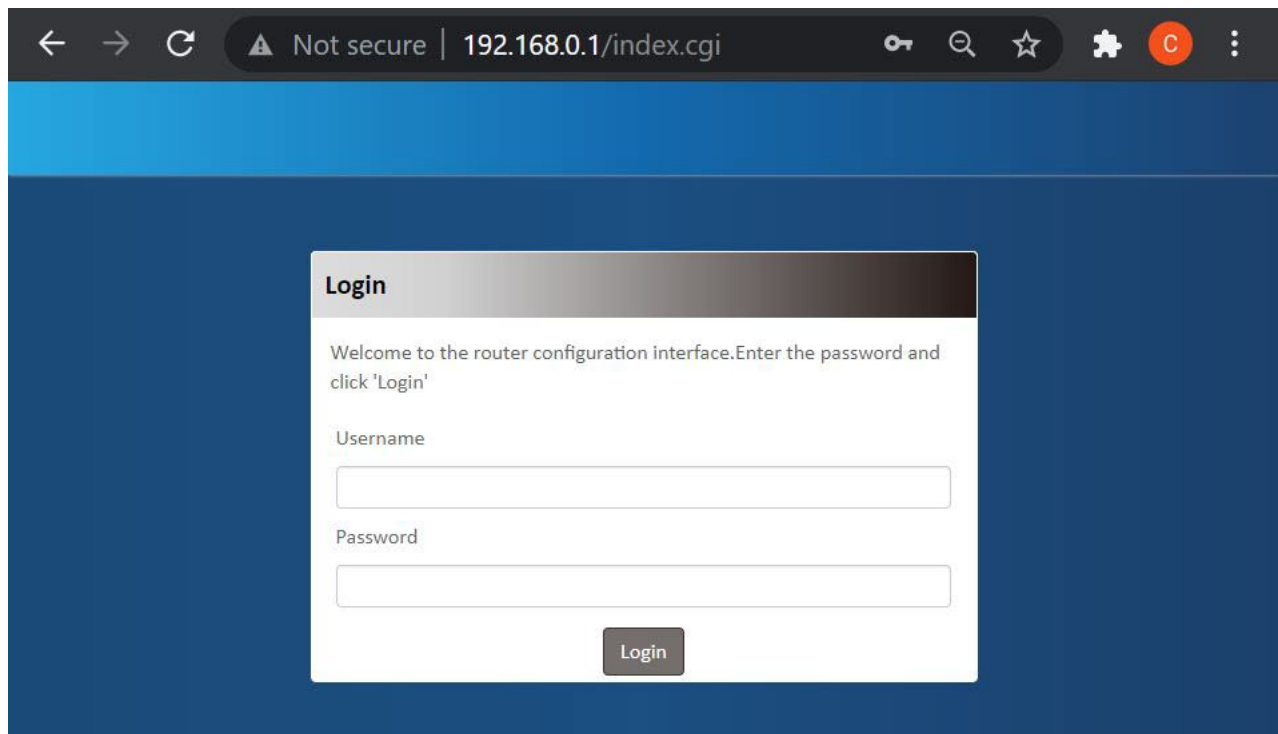
## Getting Started

To access the configuration utility, open a web browser such as Internet Explorer and enter the address of the router (**192.168.100.1** by default).

To log in to the configuration utility, enter the default username **admin** and the default 8-digit password printed on the Quick Installation Guide.

### Notes:

1. If you get a **Page Cannot be Displayed** error, please refer to the Troubleshooting section for assistance.
2. If you failed the login attempt for 3 times, you will be temporarily locked before log in fields are available again.



If this is the first time logging into the device, the system will prompt you to set a new password. Note that the password must be at least 10 characters and contain a mix of letters and numbers.

If you lose or forget the admin password, the **ONLY** remedy is to recover the device to its factory default settings by long pressing the Reset button. The reset procedure will erase the entire device configuration.

### Change Password

For security consideration, you are being asked to change the password, while the first time login to the device.

Enter the new password below.

(NOTE: The password must be at least 10 characters long, and must contain at least 1 English letter and 1 number. The password cannot be the same as the login account.)

New Password

New Password Confirmation

Once you have successfully logged in, you will see the **Home** page. On this page, you can view information about your LAN network connection, cellular connection, and signal information.

Select a configuration category from the menu panel and click the corresponding function tabs to go to the appropriate configuration page.

On each page, enter the desired settings and click **Apply** when you are done with your changes.

Network	
<b>IPv4 Network</b>	
Mode	Modem
Link Status	Disconnected
IP Address	
Netmask	
Gateway	
<b>IPv6 Network</b>	
Global IP Address	
Link-Local IP Address	

## Status Network

On this page you can view your router's operating mode and related LAN network configuration. If you are not sure which settings to use, please contact your Internet Service Provider (ISP). Note that the DWP-1010 requires a SIM card and active cellular internet service to connect to the Internet.

IPv4 Network	
Item	Description
<b>Mode</b>	Shows the operating mode of the router, i.e. NAT or modem.
<b>Link Status</b>	Shows whether the mobile Internet connection is connected or disconnected.
<b>IP Address</b>	Displays the assigned IP address for your Internet connection.
<b>Netmask</b>	Displays the subnet mask for the above IP assignment. Shows cellular signal strength as a percentage.
<b>Gateway</b>	Displays the default gateway for the current connection.

IPv6 Network	
Item	Description
<b>Global IP Address</b>	Displays the public IPv6 address
<b>Link-Local IP Address</b>	Displays the IPv6 address that can be used only for communication with locally connected devices.

## Modem

On this page you can view your router's operating mode and related LAN network configuration. If you are not sure which settings to use, please contact your Internet Service Provider (ISP). Note that the DWP-1010 requires a SIM card and active cellular internet service to connect to the Internet.

Modem Information	
Item	Description
<b>IMEI</b>	The International Mobile Equipment Identity is a unique number assigned to every mobile device.
<b>FW Version</b>	Shows the current firmware version of the router.
<b>Advanced Information</b>	The Advanced information displays the following additional information: Temperature: Detected temperature of the device. Band Capability: Supported radio frequency bands.

Service Information	
Item	Description
<b>SIM Status</b>	The status of the SIM card, i.e. ready or empty.
<b>Register Status</b>	The status of the register, i.e. searching, ready or Displays the IPv6 address that can be used only for

	communication with locally connected devices.
<b>Operator</b>	Displays the name of the cellular network provider.
<b>Service Type</b>	Displays the type of the mobile network, i.e. 3G, 4G or 5G.
<b>Band</b>	Displays the radio frequency band used.
<b>Advanced Information</b>	<p>The status of the SIM card, i.e. ready or empty.</p> <p>The Advanced information displays the following additional information:  <b>MCC:</b> The mobile country code (MCC), which is the first 3 digits of the International Mobile Subscriber Identity (IMSI).  <b>MNC:</b> The mobile network code (MNC), which is the 2-digit or the 3-digit code following the MCC.  <b>Roaming:</b> shows whether data roaming is allowed when the router is used outside of your mobile service's coverage.  <b>Cell ID:</b> The cell identifier represents each base transceiver station.  <b>Band:</b> The radio frequency used.  <b>LAC:</b> The location area code (LAC) represents the location of base transceiver stations in 3G.  <b>TAC:</b> The tracking area code (TAC) represents the location of base transceiver stations in LTE and 5G network.  <b>ISMI:</b> The SIM/USIM/UICC card has a unique number for identifying mobile user called an International Mobile Subscriber Identity (IMSI). It is a 15-digit number composed of the mobile country code (MCC), mobile network code (MNC), and mobile network code (MNC).</p>

## Signal

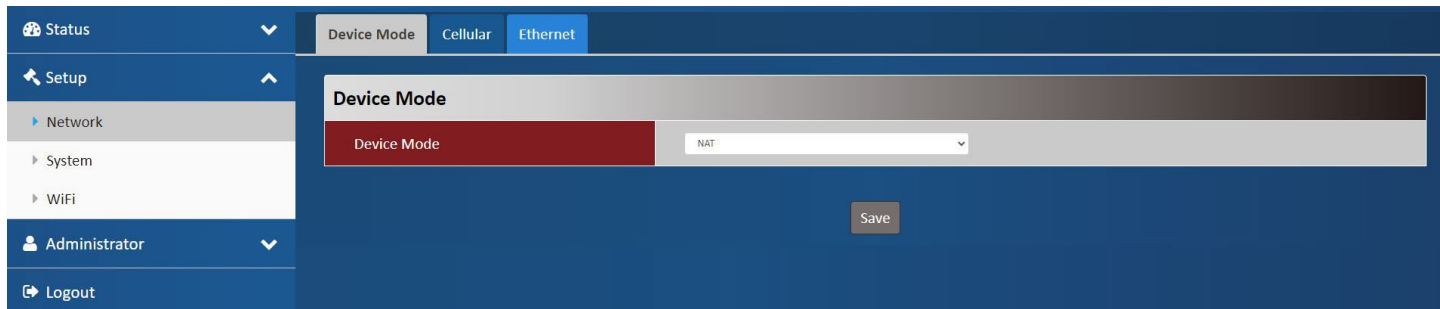
On this page, you can view your mobile signal information. If you are not sure which settings to use, please contact your Internet Service Provider (ISP). Note that the DWP-1010 requires a SIM card and active cellular internet service to connect to the Internet.

Signal	
Item	Description
<b>Service Type</b>	The type of mobile service, i.e. 3G, LTE or 5G.
<b>Operator</b>	The name of the mobile service provider.
<b>Advanced Information</b>	<p>The Advanced information displays the following additional information:  <b>RSSI:</b> The Received Signal Strength Indicator (RSSI) indicates the estimated power level of signal in 3G network.  <b>RSRP:</b> The Reference Signal Received Power (RSRP) indicates the estimated power level of signal in LTE and 5G network.  <b>RSRQ:</b> The Reference Signal Received Quality (RSRQ) indicates the signal quality of LTE and 5G network.  <b>SINR:</b> The signal-to-interference-plus-noise ratio (SINR) indicates the signal quality with respect to interference in LTE and 5G network.  <b>RSCP:</b> The Received Signal code power (RSCP) indicates the estimates power level of signal on a specific communication channel.  <b>ECIO:</b> The Energy per chip to Interference power ratio is a measurement of signal quality in terms of signal to noise ratio in 3G network.</p>

# Setup

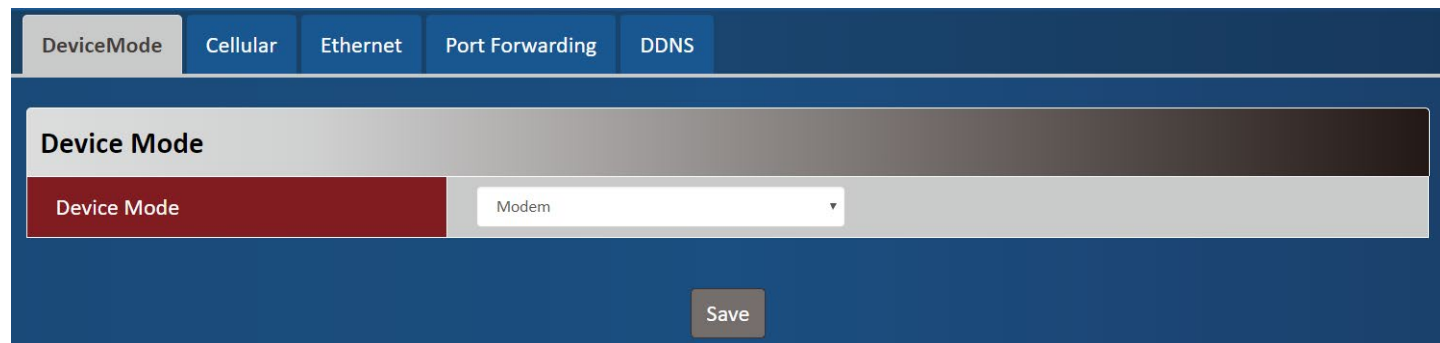
The DWP-1010 connects via Gigabit Ethernet interface for 5G/LTE network connection. DWP-1010 also functions as a NAT router to provide more flexible network applications.

## Network



Network Page Item	Description
<b>Device Mode</b>	Set the operating mode of the unit.
<b>Cellular</b>	Set the parameter for cellular network.
<b>Ethernet</b>	Set the IP of Ethernet and DHCP service

## Device Mode



Device Mode Item	Value setting	Description
<b>Device Mode</b>	<ol style="list-style-type: none"> <li>1. A Must-fill setting</li> <li>2. By default <b>Modem</b> is selected</li> </ol>	<p><b>NAT</b> The unit will provide a NAT service and a simple firewall for the connected device.</p> <p><b>Modem</b> The unit will pass the cellular IP to connected device via ethernet</p>



# Cellular

Device Mode
Cellular
Ethernet

**Cellular Access**

Preferred Network	<input type="text" value="Auto"/>
APN	<input type="text" value="Auto"/>
Manual APN	<input type="text"/>
Username	<input type="text"/>
Password	<input type="text"/>
Authentication	<input type="text" value="Auto"/>
IP Type	<input type="text" value="IPv4v6"/>
IP Mode	<input type="text" value="Dynamic IP"/> <span style="background-color: #ccc; padding: 2px 5px;">Static IP Config</span>
PIN Code	<input type="text"/>
MTU Setup	<input type="checkbox"/> Enable <input type="text" value=""/> (68~1500)
Keep Alive	<input type="checkbox"/> Enable IP Address : <input type="text" value="8.8.8.8"/> Interval : <input type="text" value="60"/> (2~14400 seconds)
Roaming	<input type="checkbox"/> Enable

Save

Device Mode	Value setting	Description
<b>Preferred Network</b>	1. A must-fill setting 2. By default <b>Auto</b> is selected	<b>Auto</b> The unit will automatically determine the appropriate network. <b>NR5G-SA</b> Use 5G cells for both signalling and information transfer. <b>NR5G-NSA</b> Depend on the control plane of an existing 4G LTE network for control functions. <b>LTE</b> Use 4G LTE for both signalling and information transfer.
<b>APN</b>	1. A must-fill setting 2. By default <b>Auto</b> is selected	<b>Auto</b> The unit will detect the SIM and set an APN from internal database. <b>Manual</b> User must set APN manually.
<b>Manual APN</b>	1. A must-fill setting 2. String format : any text	Enter the <b>APN</b> you want to use to establish the connection. This is a must-filled setting if you selected <b>Manual APN</b> as APN scheme.
<b>Username</b>	1. An Optional setting 2. String format : any text	Enter the optional <b>username</b> settings if your ISP provided such settings to you.
<b>Password</b>	1. An Optional setting 2. String format : any text	Enter the optional <b>Password</b> settings if your ISP provided such settings to you.

<b>Authentication</b>	<ol style="list-style-type: none"> <li>1. A must-fill setting</li> <li>2. By default <b>Auto</b> is selected</li> </ol>	<p>Select <b>PAP</b> (Password Authentication Protocol) and use such protocol to be authenticated with the carrier's server.</p> <p>Select <b>CHAP</b> (Challenge Handshake Authentication Protocol) and use such protocol to be authenticated with the carrier's server.</p> <p>When <b>Auto</b> is selected, it means it will authenticate with the server either <b>PAP</b> or <b>CHAP</b>.</p>
<b>IP Type</b>	<ol style="list-style-type: none"> <li>1. A must-fill setting</li> <li>2. By default <b>IPv4</b> is selected</li> </ol>	Specify the IP type of the network service provided by your 5G/LTE network. It can be <b>IPv4</b> , <b>IPv6</b> , or <b>IPv4v6</b> .
<b>IP Mode</b>	<ol style="list-style-type: none"> <li>1. A must-fill setting</li> <li>2. By default <b>Dynamic IP</b> is selected</li> </ol>	<p><b>Dynamic IP</b> The unit will get IP from cellular service.</p> <p><b>Static IP</b> The unit will set IP according to <b>Static IP Config</b>.</p>
<b>PIN Code</b>	<ol style="list-style-type: none"> <li>1. An Optional setting</li> <li>2. String format : interger</li> </ol>	Enter the PIN (Personal Identification Number) code if it needs to unlock your SIM card.
<b>MTU Setup</b>	<ol style="list-style-type: none"> <li>1. An Optional setting</li> <li>2. <b>Uncheck</b> by default</li> </ol>	<p>Check the <b>Enable</b> box to enable the MTU (Maximum Transmission Unit) limit and specify the <b>MTU</b> for the 5G/LTE connection.</p> <p><b>MTU</b> refers to Maximum Transmission Unit. It specifies the largest packet size permitted for Internet transmission.</p> <p><b>Value Range: 68 - 1500.</b></p>
<b>Keep Alive</b>	<ol style="list-style-type: none"> <li>1. An optional setting</li> <li>2. Box is unchecked by default</li> </ol>	<p>Check the <b>Enable</b> box to activate the keep alive function.</p> <p>Input <b>IP Address</b> and <b>interval</b> to send an ICMP packet to check the network status.</p>
<b>Roaming</b>	<ol style="list-style-type: none"> <li>1. An optional setting</li> <li>2. Box is unchecked by default</li> </ol>	Check the <b>Enable</b> box to activate roaming.

## Static IP Configuration

IP	<input type="text" value="0.0.0.0"/>
Subnet Mask	<input type="text" value="255.255.255.0 (/24)"/>
Default Gateway	<input type="text" value="0.0.0.0"/> (Optional)
Primary DNS	<input type="text" value="0.0.0.0"/> (Optional)
Secondary DNS	<input type="text" value="0.0.0.0"/> (Optional)



### Static IP Configuration

Item	Value setting	Description
<b>IP</b>	<ol style="list-style-type: none"> <li>1. IPv4 format.</li> <li>2. A must-fill setting</li> </ol>	The Static IP Address setting of this unit.
<b>Subnet Mask</b>	255.255.255.0 (/24) is	The Subnet Mask of the static IP.

	set by default	
<b>Default Gateway</b>	1. IPv4 format. 2. An Optional setting	The gateway setting of the static IP.
<b>Primary DNS</b>	1. IPv4 format. 2. An Optional setting	Assigned DNS server of the static IP.
<b>Secondary DNS</b>	1. IPv4 format. 2. An Optional setting	Assigned DNS server of the static IP.

## Ethernet

DeviceMode
Cellular
Ethernet
Port Forwarding
DDNS

### Ethernet IP

IP	<input style="width: 100%;" type="text" value="192.168.123.254"/>
Netmask	<input style="width: 100%;" type="text" value="255.255.255.0 (/24)"/>
DHCP Server	<input checked="" type="checkbox"/> Enable
DHCP Setting	<a href="#" style="background-color: #808080; color: white; padding: 5px 15px; text-decoration: none;">DHCP Config</a>

[Save](#)

Ethernet IP Item	Value setting	Description
<b>IP</b>	1. IPv4 format. 2. A Must-fill setting	The LAN IP Address of this unit.
<b>Netmask</b>	255.255.255.0 (/24) is set by default	The Subnet Mask of this unit.
<b>DHCP Server</b>	The box is checked by default.	Click <b>Enable</b> to activate DHCP Server.
<b>DHCP Setting</b>	N/A	Click <b>DHCP Config</b> to configure the <b>DHCP Setting</b> .

### DHCP Setting

IP Pool Start	<input style="width: 100%;" type="text" value="5"/>
IP Pool End	<input style="width: 100%;" type="text" value="10"/>
Lease Time	<input style="width: 100%;" type="text" value="3600"/>

DHCP Setting Item	Value setting	Description
<b>IP Pool Start</b>	1. Numeric string format. 2. A must-fill setting	The start of the IP Pool for this DHCP Server.
<b>IP Pool End</b>	1. Numeric string format. 2. A must-fill setting	The end of the IP Pool for this DHCP Server.
<b>Lease Time</b>	1. Numeric string format. 2. A must-fill setting	The Lease Time of this DHCP Server. <span style="color: red;"><b><u>Value Range:</u> 300 - 604800 seconds.</b></span>

## Port Forwarding

DeviceMode
Cellular
Ethernet
Port Forwarding
DDNS

### Virtual Server

Virtual Server

Enable

Virtual Server Item	Value setting	Description
<b>Virtual Server</b>	The box is unchecked by default	Check <b>Enable</b> to activate port forwarding. Click <b>Add</b> to configure virtual server rules.

## Virtual Server Rule Configuration

Name	<input style="width: 100%;" type="text"/>	
Server IP	<input style="width: 100%;" type="text"/>	
Source IP	<input style="width: 100%;" type="text" value="Any"/>	
Protocol	<input style="width: 100%;" type="text" value="TCP(6)"/>	
Public Port	<input style="width: 100%;" type="text" value="Single Port"/>	<input style="width: 50%;" type="text"/>
Private Port	<input style="width: 100%;" type="text" value="Single Port"/>	<input style="width: 50%;" type="text"/>
Rule	<input type="checkbox"/> Enable	

Virtual Server Rule Configuration		
Item	Value setting	Description
<b>Name</b>	1. String format can be any text 2. A must-fill setting	The name of current rule
<b>Server IP</b>	A must-fill setting	This field is to specify the IP address of the interface selected in the WAN Interface setting above.
<b>Source IP</b>	1. A must-fill setting 2. By default <b>Any</b> is selected	This field is to specify the <b>Source IP address</b> . Select <b>Any</b> to allow access coming from any IP addresses. Select <b>Specific IP Address</b> to allow access coming from an IP address. Select <b>IP Range</b> to allow access coming from a specified range of IP address.

Protocol	<ol style="list-style-type: none"> <li>1. A must-fill setting</li> <li>2. By default TCP(6) is selected</li> </ol>	<p>When “<b>TCP(6)</b>” is selected, the packet filter rule is set to TCP. You can set your <b>Public Port</b> from <b>Well-known Service</b>. When Public Port number is configured, <b>Private Port</b> will mirror the port number.</p> <p>When <b>Public Port</b> is set to <b>Single Port</b> and given a port number, the <b>Private Port</b> can only be set to <b>Single Port</b>.</p> <p>When <b>Public Port</b> is set to <b>Port Range</b> and given a port range, the <b>Private Port</b> can still be set to <b>Single Port</b> or <b>Port Range</b>. (<u>Value Range</u>: 1 - 65535 for Public Port, Private Port.)</p> <p>When “<b>UDP(17)</b>” is selected, the packet filter rule is set to UDP. You can set your <b>Public Port</b> from <b>Well-known Service</b>. When Public Port number is configured, <b>Private Port</b> will mirror the port number.</p> <p>When <b>Public Port</b> is set to <b>Single Port</b> and given a port number, the <b>Private Port</b> can only be set to <b>Single Port</b>.</p> <p>When <b>Public Port</b> is set to <b>Port Range</b> and given a port range, the <b>Private Port</b> can still be set to <b>Single Port</b> or <b>Port Range</b>. (<u>Value Range</u>: 1 - 65535 for Public Port, Private Port.)</p> <p>When “<b>TCP(6) &amp; UDP(17)</b>” is selected, the packet filter rule is set to TCP and UDP. You can set your <b>Public Port</b> from <b>Well-known Service</b>. When Public Port number is configured, <b>Private Port</b> will mirror the port number.</p> <p>When <b>Public Port</b> is set to <b>Single Port</b> and given a port number, the <b>Private Port</b> can only be set to <b>Single Port</b>.</p> <p>When <b>Public Port</b> is set to <b>Port Range</b> and given a port range, the <b>Private Port</b> can still be set to <b>Single Port</b> or <b>Port Range</b>. (<u>Value Range</u>: 1 - 65535 for Public Port, Private Port.)</p> <p>When “<b>User-defined</b>” is selected, the packet filter rule is set to user defined. For <b>Protocol Number</b>, enter a port number.</p>
Rule	<ol style="list-style-type: none"> <li>1. An optional setting</li> <li>2. The box is unchecked by default.</li> </ol>	Check <b>Enable</b> to activate the rule.

**Rule Name**

test
Edit
Delete

Virtual Server – Rule Name		
Item	Value setting	Description
Rule name	N/A	Click the “ <b>Edit</b> ” button to edit the <b>Virtual Server Rule</b> . Click “ <b>Delete</b> ” button to delete the rule.

## DDNS

DeviceMode
Cellular
Ethernet
Port Forwarding
DDNS

**Configuration**

DDNS	<input type="checkbox"/> Enable
Provider	DynDNS.org ▼
Host Name	<input type="text"/>
User Name / E-Mail	<input type="text"/>
Password / Key	<input type="text"/>

DDNS Item	Value setting	Description
<b>DDNS</b>	The box is unchecked by default	Check <b>Enable</b> to activate this function.
<b>Provider</b>	<b>DynDNS.org</b> is set by default	Select your DDNS provider of Dynamic DNS. It can be <b>DynDNS.org, No-IP.com, TZO.com, Dynamic Do!</b> , and etc...
<b>Host Name</b>	1. String format can be any text 2. A must-fill setting	Your registered host name of DDNS Service. <b><i>Value Range: 0 - 63 characters.</i></b>
<b>User Name / E-Mail</b>	1. String format can be any text 2. A must-fill setting	Enter your User name or E-mail addresss of DDNS Service.
<b>Password / Key</b>	1. String format can be any text 2. A must-fill setting	Enter your Password or Key of DDNS Service.

# System

This section allows you to configure the system settings.

## System Time

System Time
Language
System Information
Scheduling

### System Time

Current Time	Wed Jan 1 01:34:37 2020
Sync Time	<input style="width: 100%; border: 1px solid #ccc;" type="text" value="Auto"/>
Time Zone	<input style="width: 100%; border: 1px solid #ccc;" type="text" value="(GMT+00:00) Greenwich Mean Time: Dublin, Edinburgh, Lisbon, London"/>
NTP Server	<input style="width: 100%; border: 1px solid #ccc;" type="text" value="pool.ntp.org"/>
Daylight Saving	<input type="checkbox"/> Enable
Start Date	<input style="width: 20px;" type="text" value="1"/> / <input style="width: 20px;" type="text" value="1"/> / <input style="width: 20px;" type="text" value="0"/> (Month/Day/Hour)
End Date	<input style="width: 20px;" type="text" value="1"/> / <input style="width: 20px;" type="text" value="1"/> / <input style="width: 20px;" type="text" value="0"/> (Month/Day/Hour)
Action	<input style="background-color: #808080; color: white; padding: 5px 15px; border: none;" type="button" value="Action"/>

Device Mode Item	Value setting	Description
<b>Current Time</b>	N/A	Shows the current time of the unit.
<b>Sync Time</b>	1. A must-fill item. 2. <b>Auto</b> is selected by default.	When <b>Auto</b> is selected, the unit will sync time via cellular cell and will switch to NTP if cellular cell doesn't provide time information. When <b>NTP</b> is selected, the unit will sync time via NTP service.
<b>Time Zone</b>	1. A must-fill item. 2. <b>GMT+00 :00</b> is selected by default.	Select a time zone where this device locates.
<b>Daylight Saving</b>	1. It is an optional item. 2. Un-checked by default	Check <b>Enable</b> to activate the daylight saving function. When enabled, users have to specify the <b>Start Date</b> and <b>End Date</b> for the daylight-saving time.
<b>Start Date</b>	N/A	Start time of Daylight Saving.
<b>End Date</b>	N/A	End Time of Daylight Saving.
<b>Action</b>	N/A	Click <b>Action</b> to sync time immediately



## Language

Language Item	Value setting	Description
Language List	<ol style="list-style-type: none"> <li>1. A must-fill value.</li> <li>2. <b>English</b> is selected by default.</li> </ol>	Language setting of the WebGUI.

## System Information

System Information Item	Value setting	Description
Model Name	N/A	Shows the model name of the device
Serial Number	N/A	Shows the serial number of the device

# Scheduling

System Time | Language | System Information | **Scheduling**

**Time Schedule**

Time Schedule

Scheduling Item	Value setting	Description
Time Schedule	N/A	Click <b>Add</b> to create a schedule rule for system.

**Time Schedule Configuration**

Rule Name

Rule Policy    
 The Selected Days and Hours Below.

**Time Period Definition**

Week Day

Start Time (hh:mm)

End Time (hh:mm)

Time Schedule Configuration		
Item	Value Setting	Description
Rule Name	String format can be any text	Set rule name
Rule Policy	Inactivate by default.	Inactivate/activate the rule based on the schedule set below.

## Time Period Definition

Item	Value Setting	Description
<b>Week Day</b>	Select from menu	Select everyday or one day of the week
<b>Start Time</b>	Time format (hh :mm)	Start time in selected day
<b>End Time</b>	Time format (hh :mm)	End time in selected day

## WiFi

2.4G

**WiFi Configuration**

SSID	<input type="text" value="DWP_1010"/>
Broadcast SSID	<input checked="" type="checkbox"/> Enable
Channel	<input type="text" value="1"/>
Authentication	<input type="text" value="WPA2-PSK"/>
Preshared Key	<input type="text" value="1234567890"/> (NOTE: Preshared Key must contain at least 1 English letter and 1 number.)
Action	<input type="button" value="Action"/>

## 2.4G WiFi Configuration

Item	Value setting	Description
<b>SSID</b>	1. String format can be any text 2. A must-fill setting	Enter a name for your WiFi modem.
<b>Broadcast SSID</b>	1. A must-fill setting 2. The box is unchecked by default.	Click <b>Enable</b> to broadcast your network.
<b>Channel</b>	1. A must-fill setting 2. By default channel 1 is selected	Specify the number of 1~13 channels.
<b>Authentication</b>	1. A must-fill setting 2. By default <b>TUN</b> is selected.	Select WPA2-PSK or Open as your authentication
<b>Preshared Key</b>	1. A must-fill setting 2. String format can be any text	Specify the password key for this WiFi network
<b>Action</b>	N/A	Click <b>Action</b> to execute the configuration.

# Administrator Manager FW Upgrade

The screenshot displays the 'FW Upgrade' page in the Administrator Manager. The left sidebar contains navigation options: Status, Setup, Administrator, Manager, Utility, and Logout. The main content area is divided into three sections:

- Firmware Information:** Shows 'FW Version' as V01.01.2.011 and 'FW Date' as 2021/07/19.
- Firmware Upgrade:** Shows 'FW Path' with a 'Choose File' button (No file chosen) and an 'Upgrade' button.
- Backup Configuration Settings:** Shows 'Backup Configuration Settings' with a 'Download' dropdown menu and a 'Via Web UI' button.

## Firmware Information

Item	Value setting	Description
<b>FW Version</b>	N/A	Displays the firmware version of the product
<b>FW Date</b>	N/A	Displays the build time of the firmware

## Firmware Upgrade

Item	Value setting	Description
<b>FW Path</b>	N/A	Select firmware file to upload
<b>Upgrade Action</b>	N/A	Click <b>Upgrade</b> to start the upgrade process with selected FW

## Backup Configuration Settings

Item	Value setting	Description
<b>Backup Configuration Settings</b>	N/A	Select <b>Download</b> to backup current configuration to a file. Select <b>Upload</b> to restore configuration from selected file.

# Password & MMI

## Username

Item	Value setting	Description
<b>Username</b>	N/A	Displays the current username.
<b>New Username</b>	String format can be any text	Enter the new username. Click <b>Save</b> when you're done.

## Password

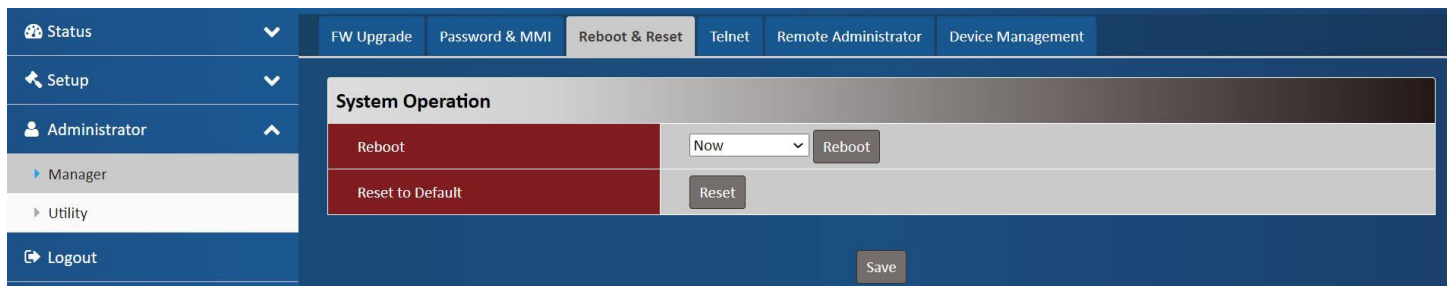
Item	Value setting	Description
<b>Old Password</b>	1. String format can be any text 2. The default password for web-based MMI is 'admin'.	Enter the current password first to change password.
<b>New Password</b>	String format can be any text	Enter new password
<b>New Password Confirmation</b>	String format can be any text	Enter new password again to confirm
<b>Save</b>	N/A	Click <b>Save</b> button to save the settings

## MMI

Item	Value setting	Description
------	---------------	-------------

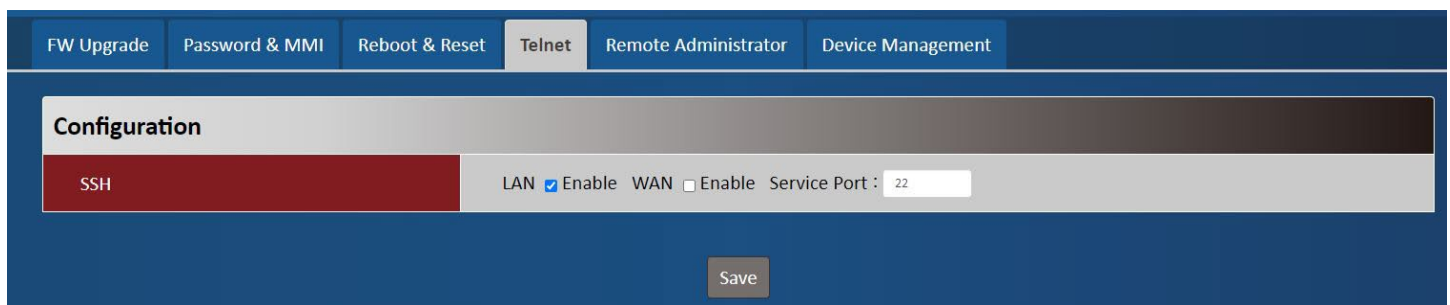
<b>Login</b>	3 times is set by default	<p>Enter a value for max failed login attempts.  <b>Value Range:</b> 3 - 10.</p> <p>If someone tries to login the web GUI with incorrect password for more than the defined value, a warning message <b>“Already reaching maximum Password-Guessing times, please wait a few seconds!”</b> will be displayed and subsequent logins will be ignored.</p>
<b>Login Timeout</b>	Login Timeout is enabled and set to 300 by default.	<p>Enable to activate the auto logout function. Specify the maximum idle time.  <b>Value Range:</b> 30 - 65535.</p>

## Reboot & Reset



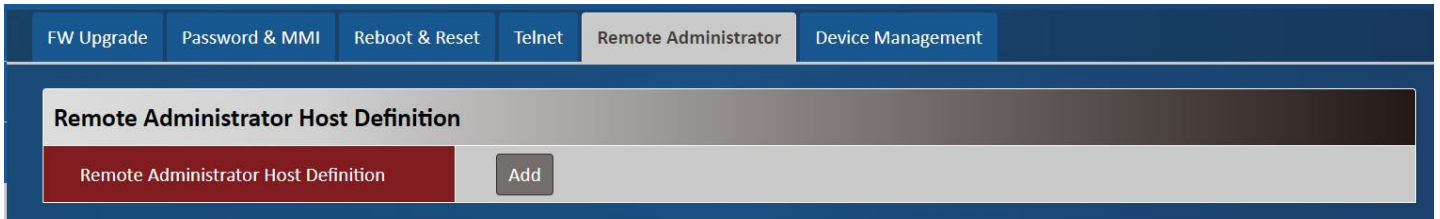
System Operation	Value setting	Description
<b>Reboot</b>	<b>Now</b> is set as default	Select <b>Now</b> or <b>Time Schedule</b> to set up when to reboot the system. Click <b>Reboot</b> to reboot the unit immediately.
<b>Reset to Default</b>	N/A	Click <b>Reset</b> to reset the device configuration to its default value.

## Telnet



Configuration	Value setting	Description
<b>SSH</b>	<b>Service Port</b> is set to 22 by default.	<p>Check the <b>Enable</b> box to activate the SSH Telnet function for connecting from LAN or WAN interfaces.</p> <p>You can set which number of <b>Service Port</b> you want to provide for the corresponding service.</p> <p><b>Value Range:</b> 1 -65535.</p>

## Remote Administrator



Remote Administrator Host Definition		
Item	Value setting	Description
Remote Administrator Host Definition	N/A	Click "Add" to set a remote administrator rule

### Rule Configuration

Name	<input type="text"/>
Protocol	<input type="text" value="HTTP"/>
Remote IP	<input type="text" value="Any IP"/> <input type="text"/>
Subnet Mask	<input type="text" value="255.0.0.0 (/8)"/>
Service Port	<input type="text" value="80"/>
Rule	<input type="checkbox"/> Enable

Rule Configuration		
Item	Value setting	Description
<b>Name</b>	String format can be any text	Set rule name
<b>Protocol</b>	HTTP is set by default	Select <b>HTTP</b> or <b>HTTPS</b> method for router access.
<b>Remote IP</b>	A must-fill setting	This field is to specify the remote host and to assign access right for remote access. Select <b>Any IP</b> to allow any remote hosts

		Select <b>Specific IP</b> to allow the remote host coming from a specific subnet.
<b>Subnet Mask</b>	N/A	If a specific IP is entered, in the dropdown menu of <b>Subnet Mask</b> , select a subnet.
<b>Service Port</b>	1. 80 for HTTP by default 2. 443 for HTTPS by default	This field is to specify a Service Port to HTTP or HTTPS connection. <b>Value Range: 1 - 65535.</b>
<b>Rule</b>	The box is unchecked by default.	Click <b>Enable</b> to activate this rule.

## Device Management

The screenshot shows the 'Device Management' configuration page. The left sidebar contains a navigation menu with 'Status', 'Setup', 'Administrator', 'Manager', 'Utility', and 'Logout'. The main content area is titled 'Configuration' and includes the following settings:

- Device Management:**  Enable
- Use Remote Service for Management:**  Enable
- Input Local Service URL:** [Text input field]
- Input Local Server IP STUN traffic:** [Text input field]

A 'Save' button is located at the bottom right of the configuration area.

D-ECS (D-Link Edge Cloud SOLUTION TR-069) allows users to manage their DWP-1010.

## Utility

### SMS

The screenshot shows the 'SMS' configuration page. The left sidebar contains a navigation menu with 'SMS'. The main content area is titled 'SMS Service' and includes the following settings:

- SMS:**  Enable
- SMS Storage:** [Dropdown menu showing 'SIM']

#### SMS – SMS Service



Item	Value setting	Description
<b>SMS</b>	The box is unchecked by default	This is the SMS switch. Click to enable or disable the SMS function.
<b>SMS Storage</b>	This is set to <b>SIM</b> by default	Select to store SMS message on either the <b>SIM</b> card or <b>modem</b> .

**SMS Summary**

New SMS	
Received SMS	
Action	<input type="button" value="New SMS"/> <input type="button" value="SMS Inbox"/>

SMS – SMS Summary		
Item	Value setting	Description
<b>New SMS</b>	N/A	When a SIM card is inserted for the first time, the <b>New SMS</b> value is zero. When a new SMS is received, the value will change accordingly.
<b>Received SMS</b>	N/A	This value shows the number of the existing SMS messages. When a new SMS is received, this value will change accordingly.
<b>Action</b>	N/A	<p><b>New SMS</b> Click <b>New SNS</b> to compose a new SMS message.</p> <p><b>SMS Inbox</b> Click <b>SMS Inbox</b> to view all the messages received</p>

### New SMS

Receiver	<input style="width: 100%; height: 20px;" type="text"/> (Use '+' for International Format and ';' to Compose Multiple Receivers)
Text Message	<div style="border: 1px solid #ccc; height: 150px; width: 100%;"></div>
Action	Current Input Length: 0/512 <input type="button" value="Send"/> <input type="button" value="Clear"/>

New SMS	Value setting	Description
<b>Receiver</b>	N/A	Enter the phone number of the receiver. Use '+' for International Format and ';' to include multiple receivers.
<b>Text Message</b>	N/A	Compose your text message here. The router supports up to 512 characters.
<b>Action</b>	N/A	Click <b>Send</b> to send the content entered in <b>Text Message</b> to <b>Receiver</b> Click <b>Clear</b> to clear current <b>Text Message</b> .

### SMS Inbox

0905339934	2018/12/20 15:37:42	<input type="button" value="Detail"/> <input type="button" value="Delete"/>
0905339934	2018/12/20 12:26:31	<input type="button" value="Detail"/> <input type="button" value="Delete"/>

SMS Inbox	Value setting	Description
<b>SMS Inbox</b>	N/A	Shows the phone number of the sender and timestamp of the SMS.

**Detail:** Click to show the SMS message.  
**Delete:** Click to delete the SMS message.

### SMS Inbox

<b>Sender</b>	0905339934	2018/12/20 15:37:42
<b>SMS Content</b>	9999999	

SMS Inbox		
Item	Value setting	Description
<b>Sender</b>	N/A	Shows the phone number of the sender and timestamp of the SMS.
<b>SMS Content</b>	N/A	Shows the content of the SMS message.

## Power Usage

### ErP Power Usage

This device is an Energy Related Product (ErP) with High Network Availability (HiNA) that automatically switches to a power-saving Network Standby mode within 1 minute of no packets being transmitted. If it is not needed during certain periods of time, it can be unplugged to save energy.

Network Standby : 4.21 watts

# Specifications

Technical Specifications		/DWP-1010
<b>General</b>		
Device Interfaces	1 x 1 Gbps GE Ethernet port, LED indicator, Wi-Fi button, 1 x Micro SIM slot (push-push), Reset button	
Antenna Type	4 x Internal 5G/LTE antennas	
Standards	IEEE 802.3i, IEEE 802.3u, IEEE 802.3at	
5G/LTE Chipset	Qualcomm SDX62	
5G/LTE Standards	<ul style="list-style-type: none"> <li>5G NR Sub-6 GHz</li> </ul>	<ul style="list-style-type: none"> <li>Release 16, Cat.19</li> </ul>
5G/LTE Frequency Support	<ul style="list-style-type: none"> <li>5G Mode</li> </ul> Downlink: Up to 3.4 Gbps Uplink: Up to 900 Mbps	<ul style="list-style-type: none"> <li>LTE Mode</li> </ul> Downlink: Up to 2 Gbps Uplink: Up to 200 Mbps
5G/LTE Throughput	<ul style="list-style-type: none"> <li>5G: n1, n3, n5, n7, n8, n20, n28, n38, n40, n41, n75 (Downlink only), n76 (Downlink only), n77, n78</li> </ul>	<ul style="list-style-type: none"> <li>LTE: B1, B3, B5, B7, B8, B20, B28, B32 (Downlink only), B38, B40, B41, B42, B43</li> </ul>
<b>Physical</b>		
Hardware Version	B1	
Dimension	210.4*144.8*105.4 mm	
Weight	760g	
Enclosure	IP65	
Power Protection	± 4kV	
Power Consumption	53V/0.6A Power over Ethernet	
Operating Temperature	-30 to 50 °C	
Storage Temperature	-40 to 70 °C	
Humidity	10% to 95% non-condensing	
Certification	CE	
<b>Order Information</b>		
DWP-1010	5G/LTE Outdoor CPE	

# Regulatory Information



	Frequency Band(s) Frequenzband Fréquence bande(s) Bandas de Frecuencia Frequenza/e Frequentie(s)	Max. Output Power (EIRP) Max. Output Power Consommation d'énergie max. Potencia máxima de Salida Potenza max. Output Max. Output Power
Wi-Fi 2.4 GHz	2412 ~ 2472 MHz	100 mW
WCDMA Band 1	1920 ~ 1980 MHz	25 dBm
WCDMA Band 5	824 ~ 849 MHz	25 dBm
WCDMA Band 8	880 ~ 915 MHz	25 dBm
LTE Band 1/ CA 1C	1920 ~ 1980 MHz	25 dBm
LTE Band 3/ CA 3C	1710 ~ 1785 MHz	25 dBm
LTE Band 5/ CA 5B	824 ~ 849 MHz	25 dBm
LTE Band 7/ CA 7C	2500 ~ 2570 MHz	25 dBm
LTE Band 8/ CA 8B	880 ~ 915 MHz	25 dBm
LTE Band 20	832 ~ 862 MHz	25 dBm
LTE Band 28	703 ~ 748 MHz	25 dBm
LTE Band 32	1452~1496 MHz	Downlink only
LTE Band 38 (PC2)	2570 ~ 2620 MHz	28 dBm
LTE Band 40/ CA 40C	2300 ~ 2400 MHz	25 dBm
LTE Band 41 (PC2)	2496 ~ 2690 MHz	28 dBm
LTE Band 42 (PC2)	3400 ~ 3600 MHz	28 dBm
LTE Band 43 (PC2)	3600 ~ 3800 MHz	28 dBm
LTE CA 38C	2570 ~ 2620 MHz	25 dBm
LTE CA 41C	2496 ~ 2690 MHz	25 dBm
LTE CA 42C	3400 ~ 3600 MHz	25 dBm
LTE CA 43C	3600 ~ 3800 MHz	25 dBm
5G NR Band n1	1920 ~ 1980 MHz	25 dBm
5G NR Band n3	1710 ~ 1785 MHz	25 dBm
5G NR Band n5	824 ~ 849 MHz	25 dBm
5G NR Band n7	2500 ~ 2570 MHz	25 dBm
5G NR Band n8	880 ~ 915 MHz	25 dBm
5G NR Band n20	832 ~ 862 MHz	25 dBm
5G NR Band n28	703 ~ 748 MHz	25 dBm
5G NR Band n38	2570 ~ 2620 MHz	25 dBm
5G NR Band n38 (PC2)(MIMO)	2570 ~ 2620 MHz	28 dBm
5G NR Band n40	2300 ~ 2400 MHz	25 dBm

5G NR Band n40 (MIMO)	2300 ~ 2400 MHz	28 dBm
5G NR Band n41 (PC2)(MIMO)	2496 ~ 2690 MHz	28 dBm
5G NR Band n75	1432~1517 MHz	Downlink only
5G NR Band n76	1427~1432 MHz	Downlink only
5G NR Band n77 (PC2)(MIMO)	3300 ~ 4200 MHz	28 dBm
5G NR Band n78 (PC2)(MIMO)	3300 ~ 3800 MHz	28 dBm

**CE EMI Class A Warning**

This equipment is compliant with Class A of CISPR 32. In a residential environment this equipment may cause radio interference.

**European Community Declaration of Conformity:**

Česky [Czech]	Tímto D-Link Corporation prohlašuje, že tento produkt, jeho příslušenství a software jsou v souladu se směrnicí 2014/53/EU. Celý text ES prohlášení o shodě vydaného EU a o firmwaru produktu lze stáhnout na stránkách k produktu <a href="http://www.dlink.com">www.dlink.com</a> .
Dansk [Danish]	D-Link Corporation erklærer herved, at dette produkt, tilbehør og software er i overensstemmelse med direktiv 2014/53/EU. Den fulde tekst i EU-overensstemmelseserklæringen og produktfirmware kan wnlodes fra produktsiden hos <a href="http://www.dlink.com">www.dlink.com</a> .
Deutsch [German]	Hiermit erklärt die D-Link Corporation, dass dieses Produkt, das Zubehör und die Software der Richtlinie 2014/53/EU entsprechen. Der vollständige Text der Konformitätserklärung der Europäischen Gemeinschaft sowie die Firmware zum Produkt stehen Ihnen zum Herunterladen von der Produktseite im Internet auf <a href="http://www.dlink.com">www.dlink.com</a> zur Verfügung.
Eesti [Estonian]	Käesolevaga kinnitab D-Link Corporation, et see toode, tarvikud ja tarkvara on kooskõlas direktiiviga 2014/53/EL. Euroopa Liidu vastavusdeklaratsiooni täistekst ja toote püsivara on allalaadimiseks saadaval tootelehel <a href="http://www.dlink.com">www.dlink.com</a> .
English	Hereby, D-Link Corporation, declares that this product, accessories, and software are in compliance with directive 2014/53/EU. The full text of the EU Declaration of Conformity and product firmware are available for download from the product page at <a href="http://www.dlink.com">www.dlink.com</a>
Español [Spanish]	Por la presente, D-Link Corporation declara que este producto, accesorios y software cumplen con las directivas 2014/53/UE. El texto completo de la declaración de conformidad de la UE y el firmware del producto están disponibles y se pueden descargar desde la página del producto en <a href="http://www.dlink.com">www.dlink.com</a> .
Ελληνική [Greek]	Με την παρούσα, η D-Link Corporation δηλώνει ότι αυτό το προϊόν, τα αξεσουάρ και το λογισμικό συμμορφώνονται με την Οδηγία 2014/53/ΕΕ. Το πλήρες κείμενο της δήλωσης συμμόρφωσης της ΕΕ και το υλικολογισμικό του προϊόντος είναι διαθέσιμα για λήψη από τη σελίδα του προϊόντος στην τοποθεσία <a href="http://www.dlink.com">www.dlink.com</a> .

Français [French]	Par les présentes, D-Link Corporation déclare que ce produit, ces accessoires et ce logiciel sont conformes aux directives 2014/53/UE. Le texte complet de la déclaration de conformité de l'UE et le microprogramme du produit sont disponibles au téléchargement sur la page des produits à <a href="http://www.dlink.com">www.dlink.com</a> .
Italiano [Italian]	Con la presente, D-Link Corporation dichiara che questo prodotto, i relativi accessori e il software sono conformi alla direttiva 2014/53/UE. Il testo completo della dichiarazione di conformità UE e il firmware del prodotto sono disponibili per il download dalla pagina del prodotto su <a href="http://www.dlink.com">www.dlink.com</a> .
Latviski [Latvian]	Ar šo uzņēmums D-Link Corporation apliecina, ka šis produkts, piederumi un programmatūra atbilst direktīvai 2014/53/ES. ES atbilstības deklarācijas pilno tekstu un produkta aparātprogrammatūru var lejupielādēt attiecīgā produkta lapā vietnē <a href="http://www.dlink.com">www.dlink.com</a> .
Lietuvių [Lithuanian]	Šiuo dokumentu „D-Link Corporation“ pareiškia, kad šis gaminys, priedai ir programinė įranga atitinka direktyvą 2014/53/ES. Visą ES atitikties deklaracijos tekstą ir gaminio programinę aparatinę įrangą galima atsisiųsti iš gaminio puslapio adresu <a href="http://www.dlink.com">www.dlink.com</a> .
Nederlands [Dutch]	Hierbij verklaart D-Link Corporation dat dit product, accessoires en software voldoen aan de richtlijnen 2014/53/EU. De volledige tekst van de EU conformiteitsverklaring en productfirmware is beschikbaar voor download van de productpagina op <a href="http://www.dlink.com">www.dlink.com</a> .
Malti [Maltese]	Bil-preżenti, D-Link Corporation tiddikjara li dan il-prodott, l-aċċessorji, u s-software huma konformi mad-Direttiva 2014/53/UE. Tista' tniżżel it-test shih tad-dikjarazzjoni ta' konformità tal-UE u l-firmware tal-prodott mill-paġna tal-prodott fuq <a href="http://www.dlink.com">www.dlink.com</a> .
Magyar [Hungarian]	Ezennel a D-Link Corporation kijelenti, hogy a jelen termék, annak tartozékai és szoftvere megfelelnek a 2014/53/EU sz. rendeletnek. Az EU Megfelelőségi nyilatkozat teljes szövege és a termék firmware a termék oldaláról tölthető le a <a href="http://www.dlink.com">www.dlink.com</a> címen.
Polski [Polish]	D-Link Corporation niniejszym oświadcza, że ten produkt, akcesoria oraz oprogramowanie są zgodne z dyrektywami 2014/53/EU. Pełen tekst deklaracji zgodności UE oraz oprogramowanie sprzętowe do produktu można pobrać na stronie produktu w witrynie <a href="http://www.dlink.com">www.dlink.com</a> .
Português [Portuguese]	Esta forma, a D-Link Corporation declara que este produto, os acessórios e o software estão em conformidade com a diretiva 2014/53/UE. O texto completo da declaração de conformidade da UE e do firmware
Slovensko[Slovenian]	Podjetje D-Link Corporation s tem izjavlja, da so ta izdelek, dodatna oprema in programska oprema skladni z direktivami 2014/53/EU. Celotno besedilo izjave o skladnosti EU in vdelana programska oprema sta na voljo za prenos na strani izdelka na <a href="http://www.dlink.com">www.dlink.com</a> .
Slovensky [Slovak]	Spoločnosť D-Link týmto vyhlasuje, že tento produkt, príslušenstvo a softvér sú v súlade so smernicou 2014/53/EÚ. Úplné znenie vyhlásenia EÚ o zhode a firmvéri produktu sú k dispozícii na prevzatíe zo stránky produktu <a href="http://www.dlink.com">www.dlink.com</a> .
Suomi [Finnish]	D-Link Corporation täten vakuuttaa, että tämä tuote, lisävarusteet ja ohjelmisto ovat direktiivin 2014/53/EU vaatimusten mukaisia. Täydellinen EU-vaatimustenmukaisuusvakuutus samoin kuin tuotteen laiteohjelmisto ovat ladattavissa osoitteesta <a href="http://www.dlink.com">www.dlink.com</a> .
Svenska[Swedish]	D-Link Corporation försäkrar härmed att denna produkt, tillbehör och programvara överensstämmer med direktiv 2014/53/EU. Hela texten med EU-försäkran om överensstämmelse och produkt-firmware kan hämtas från produktsidan på <a href="http://www.dlink.com">www.dlink.com</a> .
Íslenska [Icelandic]	Hér með lýsir D-Link Corporation því yfir að þessi vara, fylgihlutir og hugbúnaður eru í samræmi við tilskipun 2014/53/EB. Sækja má ESB-samræmisýrflýsinguna í heild sinni og fastbúnað vörunnar af vefsíðu vörunnar á <a href="http://www.dlink.com">www.dlink.com</a> .
Norsk [Norwegian]	Herved erklærer D-Link Corporation at dette produktet, tilbehøret og programvaren er i samsvar med direktivet 2014/53/EU. Den fullstendige teksten i EU-erklæring om samsvar og produktets fastvare er tilgjengelig for nedlasting fra produktsiden på <a href="http://www.dlink.com">www.dlink.com</a> .

**Warning Statement:**

The power outlet should be near the device and easily accessible.

### English

#### NOTICE OF WIRELESS RADIO LAN USAGE IN THE EUROPEAN COMMUNITY (ONLY FOR WIRELESS PRODUCT)

- This device is a 2.4 GHz wideband transmission system (transceiver), intended for use in all EU member states and EFTA countries.  
This equipment may be operated in AL, AD, BE, BG, DK, DE, FI, FR, GR, GW, IS, IT, HR, LI, LU, MT, MK, MD, MC, NL, NO, AT, PL, PT, RO, SM, SE, RS, SK, UK(NI), ES, CI, HU, CZ and CY.

#### Usage Notes:

- To remain in conformance with European National spectrum usage regulations, frequency and channel limitations will be applied on the products according to the country where the equipment will be deployed.

### German [Deutsch]

#### HINWEIS ZUR NUTZUNG VON WIRELESS-FUNK-LAN IN DER EUROPÄISCHEN GEMEINSCHAFT (NUR FÜR WIRELESS-PRODUKTE)

- Bei diesem Gerät handelt es sich um ein 2,4 GHz Breitband-Übertragungssystem (Transceiver), das für die Verwendung in allen EU-Mitgliedstaaten und EFTA-Staaten vorgesehen ist.  
Der Betrieb dieses Geräts ist in den folgenden Ländern zulässig: AL, AD, BE, BG, DK, DE, FI, FR, GR, GW, IS, IT, HR, LI, LU, MT, MK, MD, MC, NL, NO, AT, PL, PT, RO, SM, SE, RS, SK, UK(NI), ES, CI, HU, CZ und CY.

#### Gebrauchshinweise:

- Zur fortlaufenden Entsprechung und Einhaltung der europäischen Vorgaben und Vorschriften auf nationaler Ebene zur Frequenznutzung, gelten Frequenz- und Kanalbeschränkungen auf die Produkte gemäß dem Land, in dem das Gerät zum Einsatz kommt.

### French [Français]

#### AVIS D'UTILISATION DE LAN RADIO SANS FIL DANS LA COMMUNAUTÉ EUROPÉENNE (SEULEMENT POUR UN PRODUIT SANS FIL)

- Cet appareil est un système de transmission à large bande de 2,4 GHz (émetteur-récepteur), destiné à être utilisé dans tous les États membres de l'UE et les pays de l'AELE.  
Cet équipement peut être utilisé en AL, AD, BE, BG, DK, DE, FI, FR, GR, GW, IS, IT, HR, LI, LU, MT, MK, MD, MC, NL, NO, AT, PL, PT, RO, SM, SE, RS, SK, UK(NI), ES, CI, HU, CZ et CY.

#### Notes d'utilisation :

- Afin de rester en conformité avec la réglementation européenne sur l'utilisation du spectre, les limitations de fréquences et de canaux seront appliquées aux produits en fonction du pays dans lequel l'équipement sera déployé.



### **Spanish [Español]**

#### AVISO DE USO DE LA LAN DE RADIO INALÁMBRICA EN LA COMUNIDAD EUROPEA (SOLO PARA PRODUCTOS INALÁMBRICOS)

- Este dispositivo es un sistema de transmisión de banda ancha de 2,4 GHz (transceptor) diseñado para su uso en todos los estados miembros de la UE y en los países de la EFTA.  
Este equipo se puede utilizar en AL, AD, BE, BG, DK, DE, FI, FR, GR, GW, IS, IT, HR, LI, LU, MT, MK, MD, MC, NL, NO, AT, PL, PT, RO, SM, SE, RS, SK, UK(NI), ES, CI, HU, CZ y CY.

#### Notas de uso:

- Para seguir cumpliendo las normas europeas de uso del espectro nacional, se aplicarán limitaciones de frecuencia y canal en los productos en función del país en el que se pondrá en funcionamiento el equipo.

### **Italian [Italiano]**

#### NOTA SULL'USO DELLA RETE LAN RADIO WIRELESS NELLA COMUNITÀ EUROPEA (SOLO PER PRODOTTI WIRELESS)

- Questo dispositivo è un sistema di trasmissione a banda larga 2.4 GHz (ricetrasmittitore), previsto per l'uso in tutti gli stati membri dell'UE e nei paesi EFTA.  
Quest'apparecchiatura può essere usata in AL, AD, BE, BG, DK, DE, FI, FR, GR, GW, IS, IT, HR, LI, LU, MT, MK, MD, MC, NL, NO, AT, PL, PT, RO, SM, SE, RS, SK, UK(NI), ES, CI, HU, CZ e CY.

#### Note d'uso:

- Per mantenere la conformità con le normative sull'uso delle frequenze nel territorio nazionale europeo, le limitazioni di frequenza e di canale saranno applicate ai prodotti in base al paese di distribuzione delle apparecchiature.

### **Dutch [Nederlands]**

#### OPMERKING OVER DRAADLOOS LAN-GEbruik BINNEN DE EUROPESE GEMEENSCHAP (ALLEEN VOOR DRAADLOZE PRODUCTEN)

- Dit apparaat is een 2,4 GHz breedbandoverdrachtssysteem (ontvanger) bedoeld voor gebruik in alle EU-lidstaten en EFTA-landen.  
Het gebruik van dit apparaat is toegestaan in AL, AD, BE, BG, DK, DE, FI, FR, GR, GW, IS, IT, HR, LI, LU, MT, MK, MD, MC, NL, NO, AT, PL, PT, RO, SM, SE, RS, SK, UK(NI), ES, CI, HU, CZ en CY.

#### Gebruiksoepmerkingen:

- Om de conformiteit met Europese gebruikswetgevingen te garanderen, worden frequentie- en kanaalbeperkingen toegepast op de producten in overeenstemming met het land waar het apparaat zal worden gebruikt.

### **SAFETY INSTRUCTIONS**

The following general safety guidelines are provided to help ensure your own personal safety and protect your product from potential damage. Remember to consult the product user instructions for more details.

- Static electricity can be harmful to electronic components. Discharge static electricity from your body (i.e. touching grounded bare metal) before touching the product.
- Do not attempt to service the product and never disassemble the product. For some products with a user replaceable battery, please read and follow the instructions in the user manual.
- Do not spill food or liquid on your product and never push any objects into the openings of your product.
- Do not use this product near water, areas with high humidity, or condensation unless the product is specifically rated for outdoor application.
- Keep the product away from radiators and other heat sources.
- Always unplug the product from mains power before cleaning and use a dry lint free cloth only.

### **SICHERHEITSVORSCHRIFTEN**

Die folgenden allgemeinen Sicherheitsvorschriften dienen als Hilfe zur Gewährleistung Ihrer eigenen Sicherheit und zum Schutz Ihres Produkts. Weitere Details finden Sie in den Benutzeranleitungen zum Produkt.

- Statische Elektrizität kann elektronischen Komponenten schaden. Um Schäden durch statische Aufladung zu vermeiden, leiten Sie elektrostatische Ladungen von Ihrem Körper ab, (z. B. durch Berühren eines geerdeten blanken Metallteils), bevor Sie das Produkt berühren.
- Unterlassen Sie jeden Versuch, das Produkt zu warten, und versuchen Sie nicht, es in seine Bestandteile zu zerlegen. Für einige Produkte mit austauschbaren Akkus lesen Sie bitte das Benutzerhandbuch und befolgen Sie die dort beschriebenen Anleitungen.
- Vermeiden Sie, dass Speisen oder Flüssigkeiten auf Ihr Produkt gelangen, und stecken Sie keine Gegenstände in die Gehäuseschlitze oder -öffnungen Ihres Produkts.
- Verwenden Sie dieses Produkt nicht in unmittelbarer Nähe von Wasser und nicht in Bereichen mit hoher Luftfeuchtigkeit oder Kondensation, es sei denn, es ist speziell zur Nutzung in Außenbereichen vorgesehen und eingestuft.
- Halten Sie das Produkt von Heizkörpern und anderen Quellen fern, die Wärme erzeugen.
- Trennen Sie das Produkt immer von der Stromzufuhr, bevor Sie es reinigen und verwenden Sie dazu ausschließlich ein trockenes fusselfreies Tuch.

### CONSIGNES DE SÉCURITÉ

Les consignes générales de sécurité ci-après sont fournies afin d'assurer votre sécurité personnelle et de protéger le produit d'éventuels dommages. Veuillez consulter les consignes d'utilisation du produit pour plus de détails.

- L'électricité statique peut endommager les composants électroniques. Déchargez l'électricité statique de votre corps (en touchant un objet en métal relié à la terre par exemple) avant de toucher le produit.
- N'essayez pas d'intervenir sur le produit et ne le démontez jamais. Pour certains produits contenant une batterie remplaçable par l'utilisateur, veuillez lire et suivre les consignes contenues dans le manuel d'utilisation.
- Ne renversez pas d'aliments ou de liquide sur le produit et n'insérez jamais d'objets dans les orifices.
- N'utilisez pas ce produit à proximité d'un point d'eau, de zones très humides ou de condensation sauf si le produit a été spécifiquement conçu pour une application extérieure.
- Éloignez le produit des radiateurs et autres sources de chaleur.
- Débranchez toujours le produit de l'alimentation avant de le nettoyer et utilisez uniquement un chiffon sec non pelucheux.

### INSTRUCCIONES DE SEGURIDAD

Las siguientes directrices de seguridad general se facilitan para ayudarle a garantizar su propia seguridad personal y para proteger el producto frente a posibles daños. No olvide consultar las instrucciones del usuario del producto para obtener más información.

- La electricidad estática puede resultar nociva para los componentes electrónicos. Descargue la electricidad estática de su cuerpo (p. ej., tocando algún metal sin revestimiento conectado a tierra) antes de tocar el producto.
- No intente realizar el mantenimiento del producto ni lo desmonte nunca. Para algunos productos con batería reemplazable por el usuario, lea y siga las instrucciones del manual de usuario.
- No derrame comida o líquidos sobre el producto y nunca deje que caigan objetos en las aberturas del mismo.
- No utilice este producto cerca del agua, en zonas con humedad o condensación elevadas a menos que el producto esté clasificado específicamente para aplicación en exteriores.
- Mantenga el producto alejado de los radiadores y de otras fuentes de calor.
- Desenchufe siempre el producto de la alimentación de red antes de limpiarlo y utilice solo un paño seco sin pelusa.

### ISTRUZIONI PER LA SICUREZZA

Le seguenti linee guida sulla sicurezza sono fornite per contribuire a garantire la sicurezza personale degli utenti e a proteggere il prodotto da potenziali danni. Per maggiori dettagli, consultare le istruzioni per l'utente del prodotto.

- L'elettricità statica può essere pericolosa per i componenti elettronici. Scaricare l'elettricità statica dal corpo (ad esempio toccando una parte metallica collegata a terra) prima di toccare il prodotto.
- Non cercare di riparare il prodotto e non smontarlo mai. Per alcuni prodotti dotati di batteria sostituibile dall'utente, leggere e seguire le istruzioni riportate nel manuale dell'utente.
- Non versare cibi o liquidi sul prodotto e non spingere mai alcun oggetto nelle aperture del prodotto.
- Non usare questo prodotto vicino all'acqua, in aree con elevato grado di umidità o soggette a condensa a meno che il prodotto non sia specificatamente approvato per uso in ambienti esterni.
- Tenere il prodotto lontano da caloriferi e altre fonti di calore.
- Scollegare sempre il prodotto dalla presa elettrica prima di pulirlo e usare solo un panno asciutto che non lasci filacce.

### VEILIGHEIDSGEGEGENSTANDEN

De volgende algemene veiligheidsinformatie werd verstrekt om uw eigen persoonlijke veiligheid te waarborgen en uw product te beschermen tegen mogelijke schade. Denk eraan om de gebruikersinstructies van het product te raadplegen voor meer informatie.

- Statische elektriciteit kan schadelijk zijn voor elektronische componenten. Ontlaad de statische elektriciteit van uw lichaam (d.w.z. het aanraken van geaard bloot metaal) voordat u het product aanraakt.
- U mag nooit proberen het product te onderhouden en u mag het product nooit demonteren. Voor sommige producten met door de gebruiker te vervangen batterij, dient u de instructies in de gebruikershandleiding te lezen en te volgen.
- Mors geen voedsel of vloeistof op uw product en u mag nooit voorwerpen in de openingen van uw product duwen.
- Gebruik dit product niet in de buurt van water, gebieden met hoge vochtigheid of condensatie, tenzij het product specifiek geclassificeerd is voor gebruik buitenshuis.
- Houd het product uit de buurt van radiators en andere warmtebronnen.
- U dient het product steeds los te koppelen van de stroom voordat u het reinigt en gebruik uitsluitend een droge pluisvrije doek.

## Disposing of and Recycling Your Product

ENGLISH

EN



This symbol on the product or packaging means that according to local laws and regulations this product should not be disposed of in household waste but sent for recycling. Please take it to a collection point designated by your local authorities once it has reached the end of its life, some will accept products for free. By recycling the product and its packaging in this manner you help to conserve the environment and protect human health.

### D-Link and the Environment

At D-Link, we understand and are committed to reducing any impact our operations and products may have on the environment. To minimise this impact D-Link designs and builds its products to be as environmentally friendly as possible, by using recyclable, low toxic materials in both products and packaging.

D-Link recommends that you always switch off or unplug your D-Link products when they are not in use. By doing so you will help to save energy and reduce CO2 emissions.

To learn more about our environmentally responsible products and packaging please visit [www.dlinkgreen.com](http://www.dlinkgreen.com).

DEUTSCH

DE



Dieses Symbol auf dem Produkt oder der Verpackung weist darauf hin, dass dieses Produkt gemäß bestehender örtlicher Gesetze und Vorschriften nicht über den normalen Hausmüll entsorgt werden sollte, sondern einer Wiederverwertung zuzuführen ist. Bringen Sie es bitte zu einer von Ihrer Kommunalbehörde entsprechend amtlich ausgewiesenen Sammelstelle, sobald das Produkt das Ende seiner Nutzungsdauer erreicht hat. Für die Annahme solcher Produkte erheben einige dieser Stellen keine Gebühren. Durch ein auf diese Weise durchgeführtes Recycling des Produkts und seiner Verpackung helfen Sie, die Umwelt zu schonen und die menschliche Gesundheit zu schützen.

### D-Link und die Umwelt

D-Link ist sich den möglichen Auswirkungen seiner Geschäftstätigkeiten und seiner Produkte auf die Umwelt bewusst und fühlt sich verpflichtet, diese entsprechend zu mindern. Zu diesem Zweck entwickelt und stellt D-Link seine Produkte mit dem Ziel größtmöglicher Umweltfreundlichkeit her und verwendet wiederverwertbare, schadstoffarme Materialien bei Produktherstellung und Verpackung.

D-Link empfiehlt, Ihre Produkte von D-Link, wenn nicht in Gebrauch, immer auszuschalten oder vom Netz zu nehmen. Auf diese Weise helfen Sie, Energie zu sparen und CO2-Emissionen zu reduzieren.

Wenn Sie mehr über unsere umweltgerechten Produkte und Verpackungen wissen möchten, finden Sie entsprechende Informationen im Internet unter [www.dlinkgreen.com](http://www.dlinkgreen.com).

**FRANÇAIS****FR**

Ce symbole apposé sur le produit ou son emballage signifie que, conformément aux lois et réglementations locales, ce produit ne doit pas être éliminé avec les déchets domestiques mais recyclé. Veuillez le rapporter à un point de collecte prévu à cet effet par les autorités locales; certains accepteront vos produits gratuitement. En recyclant le produit et son emballage de cette manière, vous aidez à préserver l'environnement et à protéger la santé de l'homme.

**D-Link et l'environnement**

Chez D-Link, nous sommes conscients de l'impact de nos opérations et produits sur l'environnement et nous engageons à le réduire. Pour limiter cet impact, D-Link conçoit et fabrique ses produits de manière aussi écologique que possible, en utilisant des matériaux recyclables et faiblement toxiques, tant dans ses produits que ses emballages.

D-Link recommande de toujours éteindre ou débrancher vos produits D-Link lorsque vous ne les utilisez pas. Vous réaliserez ainsi des économies d'énergie et réduirez vos émissions de CO<sub>2</sub>.

Pour en savoir plus sur les produits et emballages respectueux de l'environnement, veuillez consulter le [www.dlinkgreen.com](http://www.dlinkgreen.com).

**ESPAÑOL****ES**

Este símbolo en el producto o el embalaje significa que, de acuerdo con la legislación y la normativa local, este producto no se debe desechar en la basura doméstica sino que se debe reciclar. Llévelo a un punto de recogida designado por las autoridades locales una vez que ha llegado al fin de su vida útil; algunos de ellos aceptan recogerlos de forma gratuita. Al reciclar el producto y su embalaje de esta forma, contribuye a preservar el medio ambiente y a proteger la salud de los seres humanos.

**D-Link y el medio ambiente**

En D-Link, comprendemos y estamos comprometidos con la reducción del impacto que puedan tener nuestras actividades y nuestros productos en el medio ambiente. Para reducir este impacto, D-Link diseña y fabrica sus productos para que sean lo más ecológicos posible, utilizando materiales reciclables y de baja toxicidad tanto en los productos como en el embalaje.

D-Link recomienda apagar o desenchufar los productos D-Link cuando no se estén utilizando. Al hacerlo, contribuirá a ahorrar energía y a reducir las emisiones de CO<sub>2</sub>.

Para obtener más información acerca de nuestros productos y embalajes ecológicos, visite el sitio [www.dlinkgreen.com](http://www.dlinkgreen.com).

**ITALIANO****IT**

La presenza di questo simbolo sul prodotto o sulla confezione del prodotto indica che, in conformità alle leggi e alle normative locali, questo prodotto non deve essere smaltito nei rifiuti domestici, ma avviato al riciclo. Una volta terminato il ciclo di vita utile, portare il prodotto presso un punto di raccolta indicato dalle autorità locali. Alcuni questi punti di raccolta accettano gratuitamente i prodotti da riciclare. Sceglierlo di riciclare il prodotto e il relativo imballaggio, si contribuirà a preservare l'ambiente e a salvaguardare la salute umana.

**D-Link e l'ambiente**

D-Link cerca da sempre di ridurre l'impatto ambientale dei propri stabilimenti e dei propri prodotti. Allo scopo di ridurre al minimo tale impatto, D-Link progetta e realizza i propri prodotti in modo che rispettino il più possibile l'ambiente, utilizzando materiali riciclabili a basso tasso di tossicità sia per i prodotti che per gli imballaggi.

D-Link raccomanda di spegnere sempre i prodotti D-Link o di scollegarne la spina quando non vengono utilizzati. In questo modo si contribuirà a risparmiare energia e a ridurre le emissioni di anidride carbonica.

Per ulteriori informazioni sui prodotti e sugli imballaggi D-Link a ridotto impatto ambientale, visitate il sito all'indirizzo [www.dlinkgreen.com](http://www.dlinkgreen.com).

**NEDERLANDS****NL**

Dit symbool op het product of de verpakking betekent dat dit product volgens de plaatselijke wetgeving niet mag worden weggegooid met het huishoudelijk afval, maar voor recycling moeten worden ingeleverd. Zodra het product het einde van de levensduur heeft bereikt, dient u het naar een inzamelpunt te brengen dat hiertoe werd aangeduid door uw plaatselijke autoriteiten, sommige autoriteiten accepteren producten zonder dat u hiervoor dient te betalen. Door het product en de verpakking op deze manier te recylen helpt u het milieu en de gezondheid van de mens te beschermen.

**D-Link en het milieu**

Bij D-Link spannen we ons in om de impact van onze handelingen en producten op het milieu te beperken. Om deze impact te beperken, ontwerpt en bouwt D-Link zijn producten zo milieuvriendelijk mogelijk, door het gebruik van recycleerbare producten met lage toxiciteit in product en verpakking.

D-Link raadt aan om steeds uw D-Link producten uit te schakelen of uit de stekker te halen wanneer u ze niet gebruikt. Door dit te doen bespaart u energie en beperkt u de CO<sub>2</sub>-emissies.

Breng een bezoek aan [www.dlinkgreen.com](http://www.dlinkgreen.com) voor meer informatie over onze milieuverantwoorde producten en verpakkingen.

**POLSKI****PL**

Ten symbol umieszczony na produkcie lub opakowaniu oznacza, że zgodnie z miejscowym prawem i lokalnymi przepisami niniejszego produktu nie wolno wyrzucać jak odpady czy śmieci z gospodarstwa domowego, lecz należy go poddać procesowi recyklingu. Po zakończeniu użytkowania produktu, niektóre odpowiednio do tego celu podmioty przyjmą takie produkty nieodpłatnie, dlatego prosimy dostarczyć go do punktu zbiórki wskazanego przez lokalne władze. Poprzez proces recyklingu i dzięki takiemu postępowaniu z produktem oraz jego opakowaniem, pomogą Państwo chronić środowisko naturalne i dbać o ludzkie zdrowie.

**D-Link i środowisko**

D-Link podchodzimy w sposób świadomy do ochrony otoczenia oraz jesteśmy zaangażowani w zmniejszanie wpływu naszych działań i produktów na środowisko naturalne. W celu zminimalizowania takiego wpływu firma D-Link konstruuje i wytwarza swoje produkty w taki sposób, aby były one jak najbardziej przyjazne środowisku, stosując do tych celów materiały nadające się do powtórnego wykorzystania, charakteryzujące się małą toksycznością zarówno w przypadku samych produktów jak i opakowań.

Firma D-Link zaleca, aby Państwo zawsze prawidłowo wyłączali z użytku swoje produkty D-Link, gdy nie są one wykorzystywane. Postępując w ten sposób pozwalają Państwo oszczędzać energię i zmniejszać emisje CO<sub>2</sub>.

Aby dowiedzieć się więcej na temat produktów i opakowań mających wpływ na środowisko prosimy zapoznać się ze stroną Internetową [www.dlinkgreen.com](http://www.dlinkgreen.com).

**ČESKY****CZ**

Tento symbol na výrobku nebo jeho obalu znamená, že podle místně platných předpisů se výrobek nesmí vyhazovat do komunálního odpadu, ale odeslat k recyklaci. Až výrobek doslouží, odnese jej prosím na sběrné místo určené místními úřady k tomuto účelu. Některá sběrná místa přijímají výrobky zdarma. Recyklaci výrobku i obalu pomáháte chránit životní prostředí i lidské zdraví.

**D-Link a životní prostředí**

Ve společnosti D-Link jsme si vědomi vlivu našich provozů a výrobků na životní prostředí a snažíme se o minimalizaci těchto vlivů. Proto své výrobky navrhujeme a vyrábíme tak, aby byly co nejekologičtější, a ve výrobcích i obalech používáme recyklovatelné a nízkotoxické materiály.

Společnost D-Link doporučuje, abyste své výrobky značky D-Link vypnuli nebo vytáhli ze zásuvky vždy, když je nepoužíváte. Pomůžete tak šetřit energii a snížit emise CO<sub>2</sub>.

Více informací o našich ekologických výrobcích a obalech najdete na adrese [www.dlinkgreen.com](http://www.dlinkgreen.com).

**MAGYAR****HU**

Ez a szimbólum a terméken vagy a csomagoláson azt jelenti, hogy a helyi törvényeknek és szabályoknak megfelelően ez a termék nem semmisíthető meg a háztartási hulladékkal együtt, hanem újrahasznosításra kell küldeni. Kérjük, hogy a termék élettartamának elteltét követően vigye azt a helyi hatóság által kijelölt gyűjtőhelyre. A termékek egyes helyeken ingyen elhelyezhetők. A termék és a csomagolás újrahasznosításával segíti védeni a környezetet és az emberek egészségét.

**A D-Link és a környezet**

A D-Linknél megértjük és elköteleztük magunkat a műveleteink és termékeink környezetre gyakorolt hatásainak csökkentésére. Az ezen hatás csökkentése érdekében a D-Link a lehető leginkább környezetbarát termékeket tervez és gyárt azáltal, hogy újrahasznosítható, alacsony károsanyag-tartalmú termékeket gyárt és csomagolásokat alkalmaz.

A D-Link azt javasolja, hogy mindig kapcsolja ki vagy húzza ki a D-Link termékeket a tápellátásból, ha nem használja azokat. Ezzel segít az energia megtakarításában és a széndioxid kibocsátásának csökkentésében.

Környezetbarát termékeinkről és csomagolásainkról további információkat a [www.dlinkgreen.com](http://www.dlinkgreen.com) weboldalon tudhat meg.

**NORSK****NO**

Dette symbolet på produktet eller forpakningen betyr at dette produktet ifølge lokale lover og forskrifter ikke skal kastes sammen med husholdningsavfall, men leveres inn til gjenvinning. Vennligst ta det til et innsamlingssted anvist av lokale myndigheter når det er kommet til slutten av levetiden. Noen steder aksepteres produkter uten avgift. Ved på denne måten å gjenvinne produktet og forpakningen hjelper du å verne miljøet og beskytte folks helse.

**D-Link og miljøet**

Hos D-Link forstår vi oss på og er forpliktet til å minske innvirkningen som vår drift og våre produkter kan ha på miljøet. For å minimalisere denne innvirkningen designer og lager D-Link produkter som er så miljøvennlig som mulig, ved å bruke resirkulerbare, lav-toksiske materialer både i produktene og forpakningen.

D-Link anbefaler at du alltid slår av eller frakobler D-Link-produkter når de ikke er i bruk. Ved å gjøre dette hjelper du å spare energi og å redusere CO<sub>2</sub>-utslipp.

For mer informasjon angående våre miljøansvarlige produkter og forpakninger kan du gå til [www.dlinkgreen.com](http://www.dlinkgreen.com).

**DANSK**

DK



Dette symbol på produktet eller emballagen betyder, at dette produkt i henhold til lokale love og regler ikke må bortskaffes som husholdningsaffald, mens skal sendes til genbrug. Indlever produktet til et indsamlingssted som angivet af de lokale myndigheder, når det er nået til slutningen af dets levetid. I nogle tilfælde vil produktet blive modtaget gratis. Ved at indlevere produktet og dets emballage til genbrug på denne måde bidrager du til at beskytte miljøet og den menneskelige sundhed.

**D-Link og miljøet**

Hos D-Link forstår vi og bestræber os på at reducere enhver indvirkning, som vores aktiviteter og produkter kan have på miljøet. For at minimere denne indvirkning designer og producerer D-Link sine produkter, så de er så miljøvenlige som muligt, ved at bruge genanvendelige materialer med lavt giftighedsniveau i både produkter og emballage.

D-Link anbefaler, at du altid slukker eller frakobler dine D-Link-produkter, når de ikke er i brug. Ved at gøre det bidrager du til at spare energi og reducere CO<sub>2</sub>-udledningerne.

Du kan finde flere oplysninger om vores miljømæssigt ansvarlige produkter og emballage på [www.dlinkgreen.com](http://www.dlinkgreen.com).

**SUOMI**

FI



Tämä symboli tuotteen pakkauksessa tarkoittaa, että paikallisten lakien ja säännösten mukaisesti tätä tuotetta ei pidä hävittää yleisen kotitalousjätteen seassa vaan se tulee toimittaa kierrätettäväksi. Kun tuote on elinkaarensa päässä, toimita se lähimpään viranomaisten hyväksymään kierrätyspisteeseen. Kierrättämällä käytetyn tuotteen ja sen pakkauksen autat tukemaan sekä ympäristön että ihmisten terveyttä ja hyvinvointia.

**D-Link ja ympäristö**

D-Link ymmärtää ympäristönsuojelun tärkeyden ja on sitoutunut vähentämään tuotteistaan ja niiden valmistuksesta ympäristölle mahdollisesti aiheutuvia haittavaikutuksia. Nämä negatiiviset vaikutukset minimoidakseen D-Link suunnittelee ja valmistaa tuotteensa mahdollisimman ympäristöystävällisiksi käyttämällä kierrätettäviä, alhaisia pitoisuuksia haitallisia aineita sisältäviä materiaaleja sekä tuotteissaan että niiden pakkauksissa.

Suosittellemme, että irrotat D-Link-tuotteesi virtalähteestä tai sammutat ne aina, kun ne eivät ole käytössä. Toimimalla näin autat säästämään energiaa ja vähentämään hiilidioksiidipäästöjä.

Lue lisää ympäristöystävällisistä D-Link-tuotteista ja pakkauksistamme osoitteesta [www.dlinkgreen.com](http://www.dlinkgreen.com).

**SVENSKA**

SE



Den här symbolen på produkten eller förpackningen betyder att produkten enligt lokala lagar och föreskrifter inte skall kastas i hushållssoporna utan i stället återvinnas. Ta den vid slutet av dess livslängd till en av din lokala myndighet utsedd uppsamlingsplats, vissa accepterar produkter utan kostnad. Genom att på detta sätt återvinna produkten och förpackningen hjälper du till att bevara miljön och skydda människors hälsa.

**D-Link och miljön**

På D-Link förstår vi och är fast beslutna att minska den påverkan våra verksamheter och produkter kan ha på miljön. För att minska denna påverkan utformar och bygger D-Link sina produkter för att de ska vara så miljövänliga som möjligt, genom att använda återvinningsbara material med låg gifthalt i både produkter och förpackningar.

D-Link rekommenderar att du alltid stänger av eller kopplar ur dina D-Link produkter när du inte använder dem. Genom att göra detta hjälper du till att spara energi och minska utsläpp av koldioxid.

För mer information om våra miljöansvariga produkter och förpackningar [www.dlinkgreen.com](http://www.dlinkgreen.com).

**PORTUGUÊS**

PT



Este símbolo no produto ou embalagem significa que, de acordo com as leis e regulamentações locais, este produto não deverá ser eliminado juntamente com o lixo doméstico mas enviado para a reciclagem. Transporte-o para um ponto de recolha designado pelas suas autoridades locais quando este tiver atingido o fim da sua vida útil, alguns destes pontos aceitam produtos gratuitamente. Ao reciclar o produto e respectiva embalagem desta forma, ajuda a preservar o ambiente e protege a saúde humana.

**A D-Link e o ambiente**

Na D-Link compreendemos e comprometemo-nos com a redução do impacto que as nossas operações e produtos possam ter no ambiente. Para minimizar este impacto a D-Link concebe e constrói os seus produtos para que estes sejam o mais inofensivos para o ambiente possível, utilizando materiais recicláveis e não tóxicos tanto nos produtos como nas embalagens.

A D-Link recomenda que desligue os seus produtos D-Link quando estes não se encontrarem em utilização. Com esta acção ajudará a poupar energia e reduzir as emissões de CO<sub>2</sub>.

Para saber mais sobre os nossos produtos e embalagens responsáveis a nível ambiental visite [www.dlinkgreen.com](http://www.dlinkgreen.com).