



DCS-4802E

Full HD Outdoor Mini Dome Camera

Features

Exceptional Video Quality

- 1/2.7" 2 megapixel progressive CMOS sensor
- Full HD resolution of 1920 x 1080
- Wide Dynamic Range image enhancement
- H.265, H.264, and MJPEG codec support for streaming and recording
- Privacy mask
- 3D filtering reduces noise in low-light environments

Outdoor Placement

- Built-in IR LED illuminators with a 20-metre range for use in dark areas
- Range of mounting options for flexible placement
- IP66 weatherproof housing
- Supports Power over Ethernet (PoE) for flexible, simplified installation

Security and Flexibility

- Motion detection
- Advanced event management
- Supports 802.1x, QoS, CoS, and SNMPv1/v2/v3
- HTTPS encryption for web access

The DCS-4802E Full HD Outdoor Mini Dome Camera gives you sophisticated surveillance from a pint-sized package. Easy to install and easy to configure, the DCS-4802E mounts to a ceiling or wall for instant coverage of your home or office. It gives you crisp, 1080p HD video day and night, thanks to its built-in night vision and IR illuminators. Built with a weatherproof design, you can even install it outdoors to watch over an entryway or open area.

High-Quality Streaming & Recording

To maximise bandwidth efficiency and improve image quality, the DCS-4802E provides real-time video compression using the H.265, H.264 and MJPEG codecs, and supports two separate profiles for simultaneous video streaming and recording. This versatility enables a wide variety of security applications, such as monitoring public areas to detect incidents and to coordinate responses, enforcing access control to restricted areas, deterring criminal activity, or monitoring inventory.

Continuous Monitoring

The DCS-4802E's WDR image enhancement gives you improved image quality in environments with uneven or difficult lighting, so you can identify subjects that are backlit or in brightly lit areas. In low-light situations, the IR cut filter automatically slides out of the way to use all available light. The DCS-4802E also has built-in IR LED illuminators with a 20-metre range, allowing the camera to keep watch even in complete darkness. These features work together to give you a reliable surveillance camera capable of monitoring an area 24 hours a day.

Robust Management Software

The DCS-4802E Full HD Outdoor Mini Dome Camera includes D-ViewCam, a complete surveillance software package that enables you to view, manage, and record from up to 32 cameras on a single computer in a central location. Recordings and e-mail alerts can be triggered through motion detection or events triggered by digital input devices, keeping administrators informed of any unusual activity.

Flexible Connectivity

The DCS-4802E has a built-in 802.3af compliant PoE module that simplifies installation by providing power and networking connectivity with a single cable, reducing the need to drill holes or lay additional cabling.



Full HD Outdoor PoE Mini Dome Camera
DCS-4802E

Wide Dynamic Range

- Allows the camera to see objects in contrasting light conditions.
- Ideal for entrances or windowed foyers where it is necessary to monitor both indoor and outdoor areas, or shadowed areas as well as brightly lit areas.

3-Axis Gimbal

- 3 axis mechanism gives horizontal, vertical and rotation adjustments.
- This provide greater flexibility to achieve the view you want, whether the camera is mounted on the ceiling or wall.

Free D-ViewCam™ Video Management Software DCS-100

Bundled free with D-Link network cameras D-ViewCam enables users to centrally manage multiple cameras for home or businesses.

Supporting up to 32 network cameras and up to 64 users, D-ViewCam is compatible with all current D-Link network cameras and video servers, offers digital monitoring and recording with a wide array of features including simultaneous video recording, playback and live view.

D-ViewCam offers scheduled, motion and manual recording. Recorded files can be searched by video type and selected files can be played, edited and converted into AVI or ASF files. The e-map mode in the application allows users to arrange a map with camera locations and orientation, while additional features such as auto-patrol, rotate, zoom, and focus provide optimal control over video surveillance.



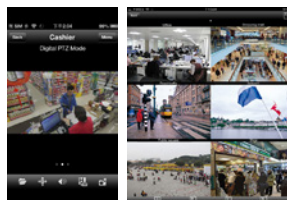
Playback view



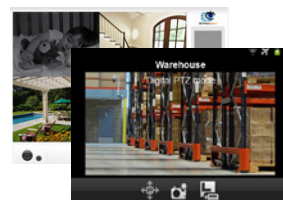
Live view

D-ViewCam Mobile

Keep an eye on your surveillance cameras anytime, anywhere with D-Link's D-ViewCam Mobile app. The D-ViewCam Mobile app makes it easy to check on your business no matter where you are, no matter what time of day it is.



For iPhones/iPads



For Android devices



Technical Specifications

Camera

Hardware Version	• B1	
Camera Hardware Profile	<ul style="list-style-type: none"> • 1/2.7" 2 Megapixel progressive CMOS sensor • 20 meter IR illumination distance • Minimum illumination: <ul style="list-style-type: none"> • Color (Day Mode), IR LEDs off: 1.0 lux • B/W (Night Mode), IR LEDs off: 0.5 lux • B/W (Night Mode), IR LEDs on: 0 lux • Built-in Infrared-Cut Removable (ICR) Filter module • 10x digital zoom • Minimum object distance 0.5 m • Focal length: 3.6 mm 	<ul style="list-style-type: none"> • Aperture: F1.8 • Angle of view: <ul style="list-style-type: none"> • (H) 88° • (V) 50° • (D) 97° • Adjustment angle (non-motorised): <ul style="list-style-type: none"> • Vertical: 75° • Horizontal: 360° • Rotation: 360°
Camera Housing	• IP66-compliant weatherproof housing	
Image Features	<ul style="list-style-type: none"> • Configurable image size, quality, frame rate, and bit rate • Time stamp and text overlays • Configurable motion detection windows • Configurable privacy mask zones 	<ul style="list-style-type: none"> • Configurable exposure time, brightness, saturation, contrast, sharpness • Wide Dynamic Range (WDR) • 3D filtering
Video Compression	<ul style="list-style-type: none"> • Simultaneous H.265/H.264/MJPEG format compression • H.265/H.264/MJPEG multicast streaming 	• JPEG for still images
Video Resolution	<ul style="list-style-type: none"> • 16:9 - 1920 x 1080, 1280 x 720, 800 x 448, 640 x 360 up to 30 fps¹ 	<ul style="list-style-type: none"> • 4:3 - 1440 x 1080, 1280 x 960, 800 x 600, 640 x 480 up to 30 fps¹
External Device Interfaces	• 10/100BASE-TX Fast Ethernet port	• Supports 802.3af PoE (Class 2)

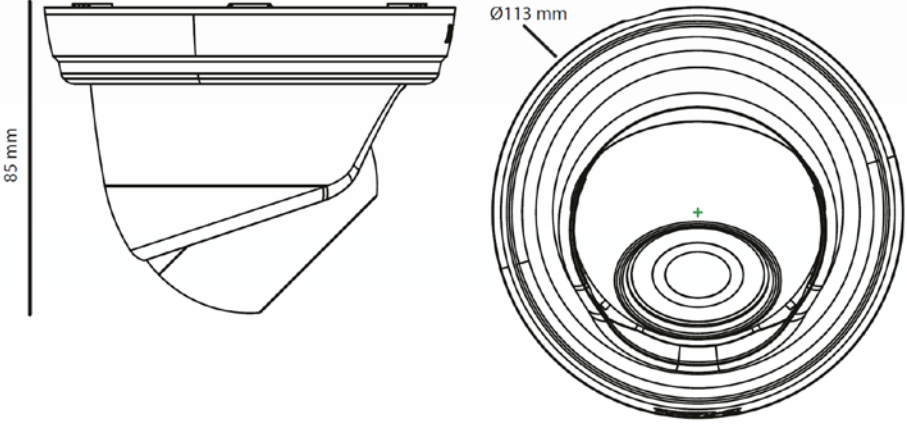



Network

Network Protocols	<ul style="list-style-type: none"> • IPv6 • IPv4 • ARP • TCP/IP • UDP • ICMP • DHCP client • NTP client (D-Link) • DNS client • DDNS client (D-Link) • SMTP client • FTP client 	<ul style="list-style-type: none"> • HTTP/HTTPS • Samba client • PPPoE • UPnP port forwarding • RTP/RTSP • IP filtering • Multicast • CoS • QoS/DSCP • SNMP • Bonjour
Security	<ul style="list-style-type: none"> • Administrator and user group protection • Password authentication 	• HTTP and RTSP authentication

System Management

Event Management	<ul style="list-style-type: none"> • Motion detection • Event notification and uploading of snapshots/video clips via e-mail or FTP 	<ul style="list-style-type: none"> • Supports multiple SMTP and FTP servers • Multiple event notifications • Multiple recording methods for easy backup
Remote Management	• Take snapshots/video clips and save to local hard drive	• Configuration interface accessible via web browser
System Requirements for Web Interface	<ul style="list-style-type: none"> • Operating system: Microsoft Windows 10/8/7 or Mac OS X 10.9 or higher 	<ul style="list-style-type: none"> • Browser: Internet Explorer 9 and higher (on Windows), Firefox 12-51, 52 ESR, Chrome 42 and higher, or Safari 9 and higher (on Mac OS X)
D-ViewCam™ System Requirements	<ul style="list-style-type: none"> • Operating System: <ul style="list-style-type: none"> • 32-bit: Windows 8 / 7 (SP1) • 64-bit: Windows 10 / 8 / 7 (SP1) / Server 2012 / Server 2008 R2 	<ul style="list-style-type: none"> • Web Browser: Internet Explorer 7 or higher • Protocol: Standard TCP/IP
D-ViewCam™ Software Functions	<ul style="list-style-type: none"> • Remote management/control of up to 32 cameras • Supports all management functions provided in web interface 	<ul style="list-style-type: none"> • Viewing of up to 32 cameras on one screen • Scheduled motion triggered, or manual recording options

DCS-4802E Full HD Outdoor Mini Dome Camera

General			
Weight	• 370 grams (13 ounces) ± 5%		
Power Input	• 12 V DC / 1.5 A, 50/60 Hz (PSU not included)	• IEEE 802.3af PoE Class 2	
Power Consumption	• 3.68 watts ± 5% (PoE Class 2)		
Temperature	• Operating: -30 to 50 °C (-22 to 124 °F)	• Storage: -20 to 70 °C (-4 to 158 °F)	
Humidity	• Operating: 20% to 80% non-condensing	• Storage: 5% to 95% non-condensing	
Certifications	• CE • CE LVD • ICES	• FCC • RCM	
Dimensions			
Optional Accessories			
Model Name	• Wall-Mount Bracket	• Ceiling-Mount Bracket	• Angled Ceiling-Mount Bracket
Model Number	• DCS-37-1	• DCS-37-2	• DCS-37-3
Product Image			
Dimensions (L x W x H)	• 183 x 120 x 90 mm	• Ø 117 x 40 mm	• Ø 129 x 72.1 mm

¹The camera is compatible with microSD cards up to v3.01 and is not compatible with v4.x cards.



For more information: www.dlink.com

D-Link European Headquarters. D-Link (Europe) Ltd., First Floor, Artemis Building, Odyssey Business Park, West End Road, South Ruislip HA4 6QE, United Kingdom. Specifications are subject to change without notice. D-Link is a registered trademark of D-Link Corporation and its overseas subsidiaries. All other trademarks belong to their respective owners. ©2019 D-Link Corporation. All rights reserved. E&OE.

Updated July 2019

