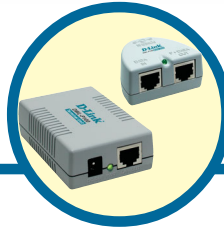


# D-Link Quick Installation Guide

**Warning:** Please follow the instructions in this guide carefully. Connecting these adapters incorrectly may result in damage to your network devices.



**DWL-P100**  
Power Over  
Ethernet Adapters

## About Power Over Ethernet.

The DWL-P100 Power Over Ethernet (POE) Adapters are designed to supply operational power to a Wireless Access Point. These adapters eliminate the need to use an additional AC/DC power supply at the Access Point giving you the ability to mount an Access Point virtually anywhere in a building where power outlets are not available, ( for example in, ceilings, attics). D-Link's DWL-P100 Adapters take advantage of the unused cable pairs within Ethernet Cat 5 cabling. The Base Unit inserts DC voltage into the unused wires therefore allowing the single Category 5 cable to carry both Ethernet data and DC power to an Access Point. The POE Terminal Unit splits the data and DC power apart, which is then supplied to the Access Point.

## Check Your Package Contents



**DWL-P100 Base Unit and Terminal Unit**



**Ethernet (CAT5 UTP/Straight Through) Cable**



**Female-to-Female Power Connector**



**48V DC Power Adapter**



Using a power supply with a different voltage rating will damage and void the warranty of this product.

If any of the above items are missing, please contact your reseller.

# 1

## Connecting The DWL-P100

### Base Unit

**Power In:** using the supplied 48V power supply, connect to a wall power outlet.



**Data In:** connect an RJ-45 straight-through cable to your computer or switch.

**P + Data Out:** provides the data and power to the terminal unit. Connect this port to the LAN In on the Terminal unit.

### Terminal Unit



**DC In:** supplies 5V 2.5 amps of power. Using the included power cable, connect to your Ethernet enabled device's power.

**LAN Out:** connect a CAT 5 RJ-45 straight-through cable to an Ethernet enabled device.



**LAN In:** connect a CAT 5 RJ-45 straight-through cable from the P + Data Out port on the Base Unit.

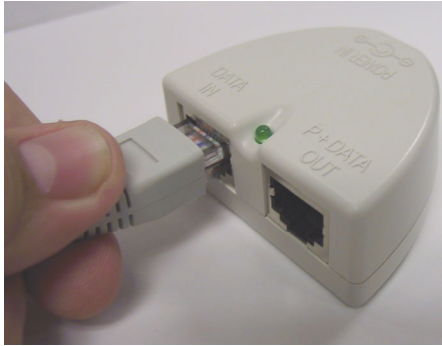
# 1

## Connecting The DWL-P100



DO NOT use two Base units together, or two Terminal units together. In configuring your network, pair one Base unit with one Terminal unit.

Insert one end of a Cat 5 Ethernet RJ-45 cable into the “LAN IN” port of the Base Unit. Connect the other end of the cable to your network switch or PC.



**Do Not** mistake the “LAN IN” port with the “P + DATA OUT” port. Incorrectly plugging the wrong Ethernet cable into the wrong Ethernet port may cause serious damage to your network devices. **D-Link** will not replace or repair products or reimburse customers for devices that become damaged due to incorrect installation, nor is liable for any loss of business resulting in the incorrect installation of this product.


Plug one end of the Power Adapter into the “DC 48V IN” Base Unit and the other end into your electrical outlet. The green “PWR” LED on the Base Unit should light up.



# 1

## Connecting The DWL-P100

Connect another Cat 5 Ethernet cable from the Base Unit “P + DATA OUT” to the “LAN IN” of the Terminal Unit.

 Only use a CAT 5 Ethernet straight-through cable.



Insert one end of the DC 5V Power Cable that is provided into the Terminal Unit, and the other end into the DC 5V of the Wireless Access Point. The green LED of the Terminal Unit should light up.

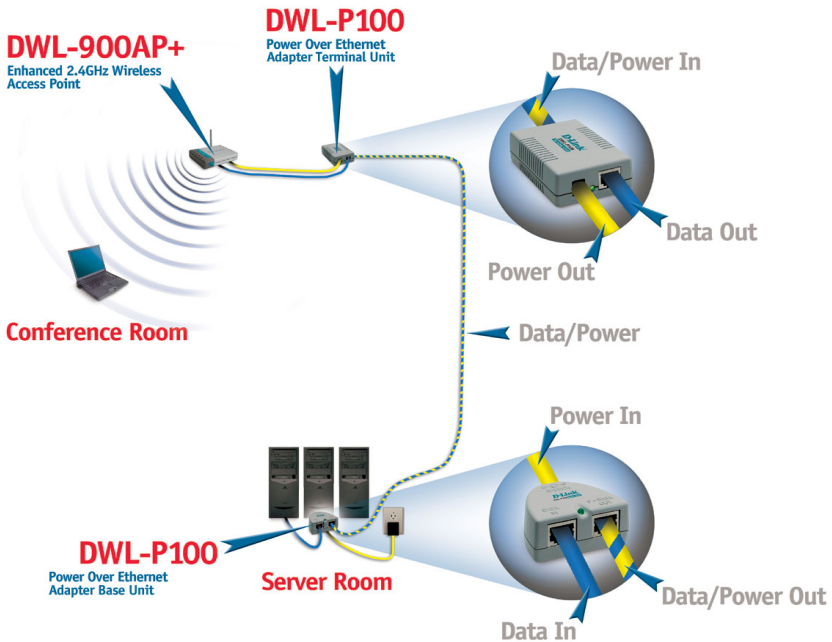


# 1 Connecting The DWL-P100

Connect the provided Cat 5 Ethernet cable from the Terminal Unit "LAN OUT" to the RJ-45 LAN port of the Wireless Access Point.



At this point, your Wireless Access Point should have power and data, and function normally.



# Features

- . Provides DC power over existing CAT 5 cabling to Access Points.
- . Transforms incoming AC power into low-voltage DC power.
- . Base and Terminal Power Over Ethernet modules powers any Wireless Access Point requiring 5V DC input.
- . Protects Access Points from possible damages due to power-surges.

# Specifications

## Category 5 Pin Usage

- . Data: 1, 2, 3, 6
- . Power: 4, 5, 7, 8

## Voltage

- . Input: 48VDC, 400mA
- . Output: 5VDC, 2.5A

## Ethernet

- . Connector: RJ-45
- . Data Rate: 10/100Mbps
- . Cable: TIA/EIA - 568, Category 5

## Dimensions

- . Base Unit: 5.3 x 4.2 x 2.5cm
- . Terminal Unit: 8 x 5.3 x 2.5cm

## Weight

- . Base + Terminal Unit: 3.3oz

## Temperature

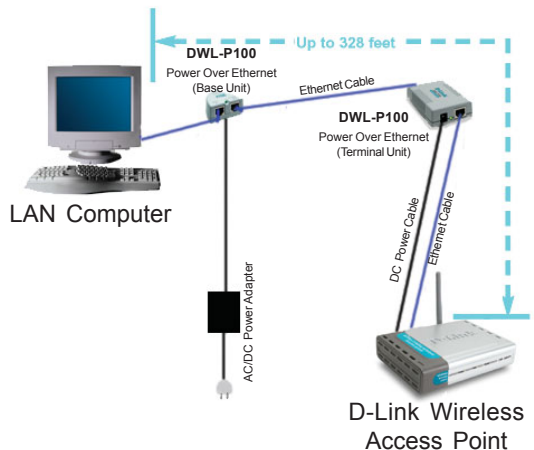
- . Operating: 0°C to 40°C (32°F to 104°F)
- . Storage: -20°C to 70°C (-4°F to 158°F)

## Operating Humidity

- . Up to 90%

## Warranty

- . 1 Year



# Technical Support

You can find the most recent software and user documentation on the **D-Link** website.

**D-Link** provides free technical support for customers within the United States for the duration of the warranty period on this product.

U.S. customers can contact **D-Link** technical support through our web site or by phone.

**D-Link Technical Support over the Telephone:**

(877) 453-5465

24 hours a day, seven days a week

**D-Link Technical Support over the Internet:**

<http://support.dlink.com>

**D-Link**<sup>®</sup>  
Building Networks for People