



DP-300+
Multi-protocol
Ethernet/Fast Ethernet
Print Server
User' s Manual

Rev. 01 (Nov, 2001)

Made In Taiwan



RECYCLABLE

TABLE OF CONTENTS

ABOUT THIS GUIDE	V
INTRODUCTION	6
<i>DP-300+ Print Server Features</i>	7
<i>External Features</i>	8
Port Connectors	9
Network Cable Connector	10
DC Power Connector	10
LED Indicators	10
Use of Stacking Brackets	11
UNPACKING AND INSTALLATION	13
<i>Unpacking and Inspecting the Print Server</i>	13
<i>Installing the DP-300+</i>	14
<i>Power On Self-Test</i>	15
<i>Testing Your DP-300+</i>	17
PRODUCT SPECIFICATIONS	18
<i>Printer Connection</i>	18

Network Connection..... 18

Network Protocols..... 19

Management and Diagnostics..... 19

Environmental and Physical..... 19

PORT PINOUTS..... 21

Parallel Ports..... 21

Serial Port..... 22

INDEX..... 23

ABOUT THIS GUIDE

This manual describes the DP-300+ Ethernet/Fast Ethernet Multiprotocol Print Server, including a description of the print server's features, as well as the print server installation procedures and troubleshooting self-test results.

For information about software configuration of the DP-300+ to allow it to be used with your network, consult the *Print Server Administration User's Guide* included with your DP-300+.

INTRODUCTION

The DP-300+ Print Server is a compact print server which connects to your Ethernet or Fast Ethernet network anywhere you wish to locate printer services. It manages the flow of print files from your workstations or file servers to its connected printers, delivering print jobs to high-performance printers much faster than a file server or a PC acting as a print server can.



Figure 1 -1 DP-300+ Print Server

DP-300+ Print Server Features

DP-300+ print servers improve network printing services in three ways:

- ◆ The DP-300+ picks up the workload of managing print file traffic to its connected printers. This provides workload relief to your file servers, and allows the file servers' full capacity to be used for file access or other direct services to network users. On peer-to-peer networks, workstations can print directly to the DP-300+ without increasing the load of another workstation or server.
- ◆ The DP-300+'s parallel printer ports are IEEE 1284 compliant high-speed bidirectional ports, which can transmit to high-speed laser printers much faster than a PC's parallel printer port. High-speed laser printers connected to the DP-300+'s parallel ports can be operated at full their capacity.
- ◆ Because the DP-300+ is very portable and inexpensive compared to a PC-based print server, and because the DP-300+ connects to your file servers through the network, printers can be deployed to locations of maximum convenience to users.

The DP-300+ offers extraordinary flexibility, operating with all major network operating systems and protocols:

- ◆ **TCP/IP**

Unix lpr/lpd (HP-UX, SunOS, Solaris, SCO, UnixWare, IBM AIX)

Windows NT/2000/XP

LPR for Windows 95/98/Me

NetWare 5.x NDPS LPR remote printing

◆ **NetBEUI**

Windows NT/2000, Windows 95/98/Me, Windows for Workgroups, Microsoft LAN Manager, IBM LAN Server

◆ **AppleTalk**

MacOS EtherTalk

Windows-based setup and administration software, *PS Admin*, is supplied with the DP-300+, making configuration and management quick and easy. The DP-300+ also supports configuration and management via the `telnet` protocol for networks without Windows-compatible machines.

External Features

This section describes the externally visible features of the DP-300+ print server.

Port Connectors

The DP-300+'s three printer ports are located on its rear panel. Two identical parallel ports are labeled LPT1 and LPT2; the single serial port is labeled COM. These printer ports are independently configurable using the *PS Admin* program or the print server's telnet interface. (See the *Print Server Administration User's Guide* for information about configuring the print server's ports.)

The print server also supports web configuration permitting users to configure settings through the web browser. DP-300+ default IP address as follows:

- ◆ Default IP address - 192.168.0.10
- ◆ Subnet Mask - 255.255.255.0

Note:-

The PC's IP address must correspond with the print server's IP address in the same segment for the two devices to communicate.

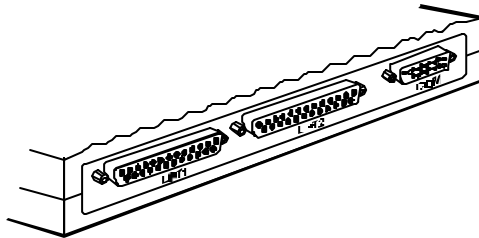


Figure 1 -2 Port Connectors

Network Cable Connector

The DP-300+'s right side panel features an RJ-45 connector for connection to 10Base-T Ethernet cabling or 100Base-TX Fast Ethernet cabling (which should be Category 5 twisted-pair cable). The port supports the NWay protocol, allowing the print server to automatically detect or negotiate the transmission speed of the network.

DC Power Connector

The DC power input connector is located on the DP-300+'s right side panel and is labeled DC 5V.

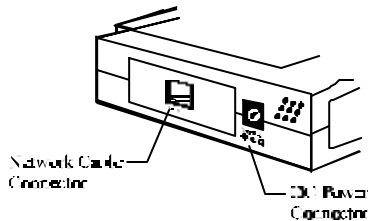


Figure 1 -3 Print Server Right Side Panel

LED Indicators

The front panel of the DP-300+ features five LED indicators:

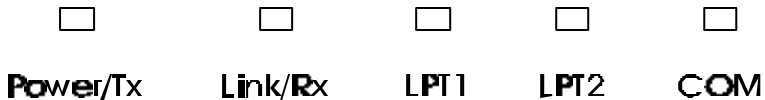


Figure 1 -4 Front Panel LED Indicators

◆ **Power/Tx**

- ◇ Steady or flashing green confirms that the DP-300+ is powered on.
- ◇ The indicator blinks off briefly to indicate that the DP-300+ is transmitting to the network.

◆ **Link/Rx**

- ◇ Steady or flashing green confirms that the DP-300+ has a good connection to the Ethernet or Fast Ethernet network.
- ◇ The indicator blinks off briefly to indicate that the DP-300+ is receiving from the network.

◆ **LPT1, LPT2, COM**

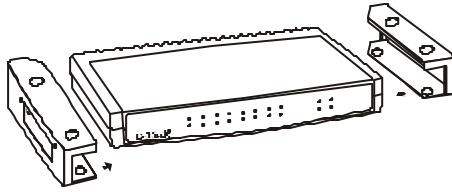
- ◇ These LED indicators light to show that the DP-300+ is transferring print data through the appropriate parallel or serial port.

These three indicators are also used by the print server' s power-on self test (POST) to indicate any hardware failures.

Use of Stacking Brackets

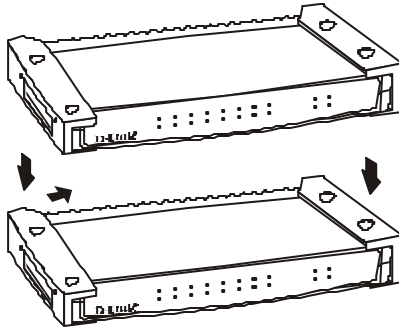
First, make sure you have one pair of stacking brackets for each device.

Next, slide one bracket onto each end of the device as shown in the diagram below. Be sure each bracket is positioned correctly.



Note when clicking each bracket into place, the round feet on the bottom of the device will line up with the round holes on the bracket. The brackets are designed to fit snugly in place. Please do not force them.

The brackets are now ready for stacking devices. See the diagram below.



2

UNPACKING AND INSTALLATION

This chapter explains how to install your DP-300+ print server and connect it to the network. It also describes the print server self test indications, and tells how to wall-mount your print server.

Unpacking and Inspecting the Print Server

Carefully remove all items from the package. In addition to this *Hardware User's Guide*, be certain that you have:

- ◆ One DP-300+ print server
- ◆ One Pair Stacking Bracket
- ◆ One DC power adapter suitable for your country's electric power
- ◆ One Installation CD-ROM

- ◆ One Multi-language Quick Installation Guide

If any item is missing, or if you find any damage or mismatch, promptly contact your dealer for assistance.

Installing the DP-300+

WARNING: *Configuration problems may result if the DP-300+ is powered up without first establishing its network connection. Follow this procedure to avoid complications at the configuration stage.*

1. Confirm proper operation of each of the printers to be connected to the DP-300+. If you test your printers by printing test files directly from a PC, then make each printer's test connection to the PC through the same port (serial or parallel) as the one you plan to use in connecting to the DP-300+.
2. When you have confirmed proper operation of each printer, switch its power off.
3. Confirm that your network is operating normally.
4. Connect the DP-300+ to the network, using the RJ-45 (10Base-T/100Base-TX) connector on the print server's side panel.

5. While each printer is powered off, connect its tested and confirmed port to a like printer port of the DP-300+. If you are connecting fewer than three printers, then keep in mind that parallel- port connections are preferred for high-performance printers.
6. Switch on each connected printer.
7. Plug the DC power adapter's DC output plug into the DC 5V power socket on the side panel of the DP-300+.
8. Plug the power adapter into an electric service outlet. This will supply power to the DP-300+, as it has no external power switch. The Power/Tx LED on the DP-300+'s front panel should light steady green, and the DP-300+'s self-test will proceed.

Power On Self-Test

When the DP-300+ is powered on, it automatically performs a self-test on each of its major components. The final result of the self-test is signaled by the state of the LPT1, LPT2, and COM LED indicators following the self-test. Preliminary to the actual component tests, the three LED indicators are tested to confirm their steady and flashing operation.

Immediately after power-up, all five of the LED's should show steady green for several seconds. Then the LPT1, LPT2, and COM LEDs should flash on simultaneously three times. Irregularity of any of the three LEDs during these LED tests may mean there is a problem with the LEDs themselves.

Contact your dealer for correction of any LED problems before proceeding.

The actual component tests immediately follow the LED tests. A normal (no fault) result is signaled by a series of three cycles of sequential flashing of the three LEDs, followed by a quiescent state with all three LEDs dark.

If the self-test routine traps any component error, then following the LED tests the self-test will halt and the LED's will continuously signal the error according to the following table. In the event of any such error signal, contact your dealer for correction of the faulty unit.

LED Name			Faulty Component
LPT1	LPT2	COM	
off	off	on/steady	COM error
off	off	flashing	Flash ID error
off	on/steady	off	LPT2 error
off	on/steady	on/steady	LAN Controller error
off	on/steady	flashing	LAN Memory error
off	flashing	off	Parallel-2 Controller error
off	flashing	on/steady	EEPROM error
off	flashing	flashing	Flash Protected
on/steady	off	off	LPT1 error
on/steady	off	on/steady	Timer INT error
on/steady	off	flashing	LAN IO Base error
on/steady	on/steady	off	RAM error

flashing	off	off	Parallel-1 Controller error
flashing	flashing	off	Flash erase/program error
flashing	flashing	flashing	Need to reload firmware

Testing Your DP-300+

The *PS Admin* software includes a Print Test function for confirmation of printer cable connections and functions. That operational test can be completed after you have installed the *PS Admin* software, and have configured your DP-300+ and its ports. See the *Testing Your Print Server* section of the *Print Server Administration User's Guide*.



PRODUCT SPECIFICATIONS

Printer Connection

Standards: IEEE 1284 bi-directional parallel interface, RS-232

Ports: Bi-directional 25-pin parallel ports × 2, 9-pin DTE serial port × 1

Parallel Port Bi-directional Communication: Hewlett-Packard PJJ (Printer Job Language) supported

Network Connection

Network Standards: IEEE 802.3 10Base-T Ethernet, IEEE 802.3u 100BASE-TX Fast Ethernet

Network Data Transfer Rate: 10/100Mbps

Network Connector: RJ-45 connector for 10Base-T or 100BASE-TX unshielded twisted pair connection; NWay automatic speed negotiation supported.

Network Protocols

Ethernet Frame Types: 802.2, 802.3, Ethernet II, SNAP (auto-switching)

Transport Protocols: TCP/IP, NetBEUI, AppleTalk/EtherTalk

TCP/IP Protocols Supported: BOOTP, SNMP, Telnet, TFTP, FTP, lpd

Management and Diagnostics

Standard: SNMP

MIBs: MIB-II (RFC 1213)

Diagnostic LED Indicators: Power/Tx, Link/Rx, LPT1, LPT2, COM

Environmental and Physical

Power Supply: External power supply providing 5VDC/ 2.4A

Dimensions: 190mm × 116.8mm × 30.9mm

Weight: approx. 360g

Operating Temperature: 0 to 50°C

Storage Temperature: -10 to 50°C

Humidity: 10% to 90% non-condensing

Emissions: FCC Class A, CISPR 22 Class A, VCCI Class 1,
AS/NZS 3548:1995 Class A

Safety: UL (UL 1950), CSA (CSA950), TUV/GS (EN60950)



PORT PINOUTS

This appendix shows the pinouts of the DP-300+ parallel and serial printer ports.

Parallel Ports

The following table lists the pinouts of the print server' s 25-pin parallel port connector (identical to the connector used on most personal computers), as well as the 36-pin Centronics connector used on most printers.

Signal names beginning with *n* are active-low signals.

25-pin	Centronics	Signal	Source
1	1	nStrobe	Host
2	2	Data 1	Bi-directional
3	3	Data 2	Bi-directional
4	4	Data 3	Bi-directional
5	5	Data 4	Bi-directional
6	6	Data 5	Bi-directional
7	7	Data 6	Bi-directional
8	8	Data 7	Bi-directional
9	9	Data 8	Bi-directional

25-pin	Centronics	Signal	Source
10	10	nAck	Printer
11	11	Busy	Printer
12	12	PError	Printer
13	13	Select	Printer
14	14	nAutoFd	Host
15	32	nFault	Printer
16	31	nInit	Host
17	36	nSelectIn	Host
18-25	16, 17, 19-30	Ground	

Serial Port

The table below shows the pinout of the print server's 9-pin RS-232 serial port. The print server's serial port is a DTE (Data Terminal Equipment) port, and should be connected to a DCE (Data Communications Equipment) serial port on your printer. Consult your printer's documentation for detailed information on how to connect the print server to your printer.

9-pin	Signal	Function
1	DCD	Data Carrier Detected (DCE → DTE)
2	RXD	Received Data (DCE → DTE)
3	TXD	Transmitted Data (DTE → DCE)
4	DTR	Data Terminal Ready (DTE → DCE)
5	Gnd	Signal Ground
6	DSR	Data Set Ready (DCE → DTE)
7	RTS	Request to Send (DTE → DCE)
8	CTS	Clear to Send (DCE → DTE)
9	RI	Ring Indicator (DCE → DTE)

INDEX

100Base-TX.....	7	pinout	
COM.....	3	parallel port.....	14
COM LED.....	5, 9	serial port.....	15
DC power adapter.....	6, 8	Power/Tx LED.....	5, 8
IEEE 1284.....	2	Print Test function.....	9
Link/Rx LED.....	5	printer port connectors.....	3
LPT1.....	3	<i>PS Admin</i> software.....	3, 6, 9
LPT1 LED.....	5, 9	self-test.....	10
LPT2.....	3	stacking bracket.....	11, 13
LPT2 LED.....	5, 9	telnet.....	3
network connectors.....	4		
packing list.....	6		

D-Link® OFFICES

- AUSTRALIA** **D-LINK AUSTRALASIA**
Unit 16, 390 Eastern Valley Way, Roseville, NSW 2069, Australia
TEL: 61-2-9417-7100 FAX: 61-2-9417-1077
TOLL FREE: 1800-177-100 (Australia), 0800-900900 (New Zealand)
URL: www.dlink.com.au E-MAIL: support@dlink.com.au, info@dlink.com.au
- CANADA** **D-LINK CANADA**
2180 Winston Park Drive, Oakville, Ontario L6H 5W1 Canada
TEL: 1-905-829-5033 FAX: 1-905-829-5095 BBS: 1-965-279-8732 FREE CALL: 1-800-354-6522
URL: www.dlink.ca E-MAIL: techsup@dlink.ca
- CHILE** **D-LINK SOUTH AMERICA**
Isidora Goyenechea #2934 of.702, Las Condes, Santiago, Chile
TEL: 56-2-232-3185 FAX: 56-2-2320923 URL: www.dlink.cl
- CHINA** **D-LINK CHINA**
2F., Sigma Building, 49 Zhichun Road, Haidian District, 100080 Beijing, China
TEL: 86-10-88097777 FAX: 86-10-88096789
URL: www.dlink.com.cn
- DENMARK** **D-LINK DENMARK**
Naverland 2, DK-2600 Glostrup, Copenhagen, Denmark
TEL: 45-43-969040 FAX: 45-43-424347 URL: www.dlink.dk
E-MAIL: info@dlink.dk
- EGYPT** **D-LINK MIDDLE EAST**
7 Assem Ebn Sabet Street, Heliopolis Cairo, Egypt
TEL: 202-2456176 FAX: 202-2456192 URL: www.dlink-me.com
E-MAIL: support@dlink-me.com
- FRANCE** **D-LINK FRANCE**
Le Florilege #2, Allee de la Fresnerie
78330 Fontenay Le Fleury France
TEL: 33-1-30238688 FAX: 33-1-3023-8689 URL: www.dlink-france.fr
E-MAIL: info@dlink-france.fr
- GERMANY** **D-LINK GERMANY**
D-Link Central Europe / D-Link
Deutschland GmbH
Schwalbacher Stra_e 74
65760 Eschborn
TEL: ++49-6196/7799-0 FAX: ++49-6196/7799-300
- INDIA** **D-LINK INDIA**
Plot No.5, Kurla-Bandra Complex Road,
Off Cst Road, Santacruz (E), Bombay - 400 098 India
TEL: 91-22-652-6696 FAX: 91-22-652-8914 URL: www.dlink-india.com
E-MAIL: service@dlink.india.com
- ITALY** **D-LINK ITALIA**
Via Nino Bonnet No. 6/b, 20154 Milano, Italy
TEL: 39-02-2900-0676 FAX: 39-02-2900-1723 URL: www.dlink.it
E-MAIL: info@dlink.it
- JAPAN** **D-LINK JAPAN**
10F, 8-8-15 Nishi-Gotanda, Shinagawa-ku, Tokyo 141 Japan
TEL: 81-3-5434-9678 FAX: 81-3-5434-9868 URL: www.d-link.co.jp
- RUSSIA** **D-LINK RUSSIA**
Michurinski Prospekt 49, 117607 Moscow, Russia
TEL: 7-095-737-3389, 7-095-737-3492 FAX: 7-095-737-3390
- SINGAPORE** **D-LINK INTERNATIONAL**
1 International Business Park, #03-12 The Synergy, Singapore 609917
TEL: 65-774-6233 FAX: 65-774-6322
URL: www.dlink-intl.com E-MAIL: info@dlink.com.sg
- S. AFRICA** **D-LINK SOUTH AFRICA**
Unit 2, Parkside 86 Oak Avenue
Highveld Technopark Centurion, Gauteng, Republic of South Africa
TEL: 27(0)126652165 FAX: 27(0)126652186
- SWEDEN** **D-LINK SWEDEN**
P.O. Box 15036, S-167 15 Bromma Sweden
TEL: 46-(0)8564-61900 FAX: 46-(0)8564-61901 E-MAIL: info@dlink.se
URL: www.dlink.se
- TAIWAN** **D-LINK TAIWAN**
2F., No. 119 Pao-Chung Road, Hsin-Tien, Taipei, Taiwan R.O.C.
TEL: 886-2-2910-2626 FAX: 886-2-2910-1515 URL: www.dlinktw.com.tw
- U.K.** **D-LINK EUROPE**
4th Floor, Merit House, Edgware Road, Colindale, London, NW9 5AB, U.K.
TEL: 44-20-8731-5555 FAX: 44-20-8731-5511
URL: www.dlink.co.uk E-MAIL: info@dlink.co.uk
- U.S.A.** **D-LINK U.S.A.**
53 Discovery Drive, Irvine, CA 92618 USA
TEL: 1-949-788-0805 FAX: 1-949-753-7033 INFO LINE: 1-800-326-1688

LIMITED WARRANTY

D-Link provides this limited warranty for its product only to the person or entity who originally purchased the product from D-Link or its authorized reseller or distributor.

Limited Hardware Warranty: D-Link warrants that the hardware portion of the D-Link products described below ("Hardware") will be free from material defects in workmanship and materials from the date of original retail purchase of the Hardware, for the period set forth below applicable to the product type ("Warranty Period") if the Hardware is used and serviced in accordance with applicable documentation; provided that a completed Registration Card is returned to an Authorized D-Link Service Office within ninety (90) days after the date of original retail purchase of the Hardware. If a completed Registration Card is not received by an authorized D-Link Service Office within such ninety (90) period, then the Warranty Period shall be ninety (90) days from the date of purchase.

<i>Product Type</i>	<i>Warranty Period</i>
Product (excluding power supplies and fans)	One (1) Year
Power Supplies and Fans	One (1) Year
Spare parts and spare kits	Ninety (90) days

D-Link's sole obligation shall be to repair or replace the defective Hardware at no charge to the original owner. Such repair or replacement will be rendered by D-Link at an Authorized D-Link Service Office. The replacement Hardware need not be new or of an identical make, model or part; D-Link may in its discretion may replace the defective Hardware (or any part thereof) with any reconditioned product that D-Link reasonably determines is substantially equivalent (or superior) in all material respects to the defective Hardware. The Warranty Period shall extend for an additional ninety (90) days after any repaired or replaced Hardware is delivered. If a material defect is incapable of correction, or if D-Link determines in its sole discretion that it is not practical to repair or replace the defective Hardware, the price paid by the original purchaser for the defective Hardware will be refunded by D-Link upon return to D-Link of the defective Hardware. All Hardware (or part thereof) that is

replaced by D-Link, or for which the purchase price is refunded, shall become the property of D-Link upon replacement or refund.

Limited Software Warranty: D-Link warrants that the software portion of the product ("Software") will substantially conform to D-Link's then current functional specifications for the Software, as set forth in the applicable documentation, from the date of original delivery of the Software for a period of ninety (90) days ("Warranty Period"), if the Software is properly installed on approved hardware and operated as contemplated in its documentation. D-Link further warrants that, during the Warranty Period, the magnetic media on which D-Link delivers the Software will be free of physical defects. D-Link's sole obligation shall be to replace the non-conforming Software (or defective media) with software that substantially conforms to D-Link's functional specifications for the Software. Except as otherwise agreed by D-Link in writing, the replacement Software is provided only to the original licensee, and is subject to the terms and conditions of the license granted by D-Link for the Software. The Warranty Period shall extend for an additional ninety (90) days after any replacement Software is delivered. If a material non-conformance is incapable of correction, or if D-Link determines in its sole discretion that it is not practical to replace the non-conforming Software, the price paid by the original licensee for the non-conforming Software will be refunded by D-Link; provided that the non-conforming Software (and all copies thereof) is first returned to D-Link. The license granted respecting any Software for which a refund is given automatically terminates.

What You Must Do For Warranty Service:

Registration Card. The Registration Card provided at the back of this manual must be completed and returned to an Authorized D-Link Service Office for each D-Link product within ninety (90) days after the product is purchased and/or licensed. The addresses/telephone/fax list of the nearest Authorized D-Link Service Office is provided in the back of this manual. FAILURE TO PROPERLY COMPLETE AND TIMELY RETURN THE REGISTRATION CARD MAY AFFECT THE WARRANTY FOR THIS PRODUCT.

Submitting A Claim. Any claim under this limited warranty must be submitted in writing before the end of the Warranty Period to an Authorized D-Link Service Office. The claim must include a written description of the Hardware defect or Software nonconformance in sufficient detail to allow DLink to confirm the same. The original product owner must obtain a Return Material Authorization (RMA) number from the Authorized D-Link Service Office and, if requested, provide written proof of purchase of the product (such as a copy of the dated purchase invoice for the product) before the warranty service is provided. After an RMA number is issued, the defective product must be packaged securely in the original or other suitable shipping package to ensure that it will not be damaged in transit, and the RMA number must be prominently marked on the outside of the package. The packaged product shall be insured and shipped to D-Link, 53 Discovery Drive, Irvine CA 92618, with all shipping costs prepaid. D-Link may reject or return any product that is not packaged and shipped in strict compliance with the foregoing requirements, or for which an RMA number is not visible from the outside of the package. The product owner agrees to pay D-Link's reasonable handling and return shipping charges for any product that is not packaged and shipped in accordance with the foregoing requirements, or that is determined by D-Link not to be defective or non-conforming.

What Is Not Covered:

This limited warranty provided by D-Link does not cover:

Products that have been subjected to abuse, accident, alteration, modification, tampering, negligence, misuse, faulty installation, lack of reasonable care, repair or service in any way that is not contemplated in the documentation for the product, or if the model or serial number has been altered, tampered with, defaced or removed;

Initial installation, installation and removal of the product for repair, and shipping costs;

Operational adjustments covered in the operating manual for the product, and normal maintenance;

Damage that occurs in shipment, due to act of God, failures due to power surge, and cosmetic damage; and

Any hardware, software, firmware or other products or services provided by anyone other than D-Link.

Disclaimer of Other Warranties: EXCEPT FOR THE LIMITED WARRANTY SPECIFIED HEREIN, THE PRODUCT IS PROVIDED "AS-IS" WITHOUT ANY WARRANTY OF ANY KIND INCLUDING, WITHOUT LIMITATION, ANY WARRANTY OF MERCHANTABILITY, FITNESS FOR A PARTICULAR PURPOSE AND NON-INFRINGEMENT. IF ANY IMPLIED WARRANTY CANNOT BE DISCLAIMED IN ANY TERRITORY WHERE A PRODUCT IS SOLD, THE DURATION OF SUCH IMPLIED WARRANTY SHALL BE LIMITED TO NINETY (90) DAYS. EXCEPT AS EXPRESSLY COVERED UNDER THE LIMITED WARRANTY PROVIDED HEREIN, THE ENTIRE RISK AS TO THE QUALITY, SELECTION AND PERFORMANCE OF THE PRODUCT IS WITH THE PURCHASER OF THE PRODUCT.

Limitation of Liability: TO THE MAXIMUM EXTENT PERMITTED BY LAW, D-LINK IS NOT LIABLE UNDER ANY CONTRACT, NEGLIGENCE, STRICT LIABILITY OR OTHER LEGAL OR EQUITABLE THEORY FOR ANY LOSS OF USE OF THE PRODUCT, INCONVENIENCE OR DAMAGES OF ANY CHARACTER, WHETHER DIRECT, SPECIAL, INCIDENTAL OR CONSEQUENTIAL (INCLUDING, BUT NOT LIMITED TO, DAMAGES FOR LOSS OF GOODWILL, WORK STOPPAGE, COMPUTER FAILURE OR MALFUNCTION, LOSS OF INFORMATION OR DATA CONTAINED IN, STORED ON, OR INTEGRATED WITH ANY PRODUCT RETURNED TO D-LINK FOR WARRANTY SERVICE) RESULTING FROM THE USE OF THE PRODUCT, RELATING TO WARRANTY SERVICE, OR ARISING OUT OF ANY BREACH OF THIS LIMITED WARRANTY, EVEN IF D-LINK HAS BEEN ADVISED OF THE POSSIBILITY OF SUCH DAMAGES. THE SOLE REMEDY FOR A BREACH OF THE FOREGOING LIMITED WARRANTY IS REPAIR, REPLACEMENT OR REFUND OF THE DEFECTIVE OR NON-CONFORMING PRODUCT.

GOVERNING LAW: This Limited Warranty shall be governed by the laws of the state of California.

Some states do not allow exclusion or limitation of incidental or consequential damages, or limitations on how long an implied warranty lasts, so the foregoing limitations and exclusions may not apply. This limited warranty provides specific legal rights and the product owner may also have other rights which vary from state to state.

Wichtige Sicherheitshinweise

1. Bitte lesen Sie sich diese Hinweise sorgfältig durch.
2. Heben Sie diese Anleitung für den spätern Gebrauch auf.
3. Vor jedem Reinigen ist das Gerät vom Stromnetz zu trennen. Verwenden Sie keine Flüssig- oder Aerosolreiniger. Am besten dient ein angefeuchtetes Tuch zur Reinigung.
4. Um eine Beschädigung des Gerätes zu vermeiden sollten Sie nur Zubehörteile verwenden, die vom Hersteller zugelassen sind.
5. Das Gerät ist vor Feuchtigkeit zu schützen.
6. Bei der Aufstellung des Gerätes ist auf sichern Stand zu achten. Ein Kippen oder Fallen könnte Verletzungen hervorrufen. Verwenden Sie nur sichere Standorte und beachten Sie die Aufstellhinweise des Herstellers.
7. Die Belüftungsöffnungen dienen zur Luftzirkulation die das Gerät vor Überhitzung schützt. Sorgen Sie dafür, daß diese Öffnungen nicht abgedeckt werden.
8. Beachten Sie beim Anschluß an das Stromnetz die Anschlußwerte.
9. Die Netzanschlußsteckdose muß aus Gründen der elektrischen Sicherheit einen Schutzleiterkontakt haben.
10. Verlegen Sie die Netzanschlußleitung so, daß niemand darüber fallen kann. Es sollte auch nichts auf der Leitung abgestellt werden.
11. Alle Hinweise und Warnungen die sich am Geräten befinden sind zu beachten.
12. Wird das Gerät über einen längeren Zeitraum nicht benutzt, sollten Sie es vom Stromnetz trennen. Somit wird im Falle einer Überspannung eine Beschädigung vermieden.
13. Durch die Lüftungsöffnungen dürfen niemals Gegenstände oder Flüssigkeiten in das Gerät gelangen. Dies könnte einen Brand bzw. Elektrischen Schlag auslösen.
14. Öffnen Sie niemals das Gerät. Das Gerät darf aus Gründen der elektrischen Sicherheit nur von autorisiertem Servicepersonal geöffnet werden.
15. Wenn folgende Situationen auftreten ist das Gerät vom Stromnetz zu trennen und von einer qualifizierten Servicestelle zu überprüfen:
 - a- Netzkabel oder Netzstecker sind beschädigt.
 - b- Flüssigkeit ist in das Gerät eingedrungen.
 - c- Das Gerät war Feuchtigkeit ausgesetzt.
 - d- Wenn das Gerät nicht der Bedienungsanleitung entsprechend funktioniert oder Sie mit Hilfe dieser Anleitung keine Verbesserung erzielen.
 - e- Das Gerät ist gefallen und/oder das Gehäuse ist beschädigt.
 - f- Wenn das Gerät deutliche Anzeichen eines Defektes aufweist.
16. Bei Reparaturen dürfen nur Originalersatzteile bzw. den Originalteilen entsprechende Teile verwendet werden. Der Einsatz von ungeeigneten Ersatzteilen kann eine weitere Beschädigung hervorrufen.

17. Wenden Sie sich mit allen Fragen die Service und Reparatur betreffen an Ihren Servicepartner. Somit stellen Sie die Betriebssicherheit des Gerätes sicher.
18. Zum Netzanschluß dieses Gerätes ist eine geprüfte Leitung zu verwenden, Für einen Nennstrom bis 6A und einem Gerätegewicht größer 3kg ist eine Leitung nicht leichter als H05VV-F, 3G, 0.75mm² einzusetzen.

Trademarks

Copyright ©1999 D-Link Corporation. Contents subject to change without prior notice. D-Link is a registered trademark of D-Link Corporation/D-Link Systems, Inc. All other trademarks belong to their respective proprietors.

Copyright Statement

No part of this publication may be reproduced in any form or by any means or used to make any derivative such as translation, transformation, or adaptation without permission from D-Link Corporation/D-Link Systems Inc., as stipulated by the United States Copyright Act of 1976.

FCC Warning

This equipment has been tested and found to comply with the limits for a Class A digital device, pursuant to Part 15 of the FCC Rules. These limits are designed to provide reasonable protection against harmful interference when the equipment is operated in a commercial environment. This equipment generates, uses, and can radiate radio frequency energy and, if not installed and used in accordance with this user's guide, may cause harmful interference to radio communications. Operation of this equipment in a residential area is likely to cause harmful interference in which case the user will be required to correct the interference at his own expense.

CE Mark Warning

This is a Class A product. In a domestic environment, this product may cause radio interference in which case the user may be required to take adequate measures.

注意

この装置は、情報処理装置等電波障害自主規制協議会(VCCI)の基準に基づく第一種情報技術装置です。この装置を家庭環境で使用すると電波妨害を引き起こすことがあります。この場合には使用者が適切な対策を講ずるよう要求されることがあります。

BSMI Warning:

檢磁 3892A661

警告使用者：

這是甲類的資訊產品，在居住的環境中使用時，可能會造成射頻干擾，在這種情況下，使用者會被要求採取某些適當的對策。

Register by mail or online at <http://www.dlink.com/sales/reg/>

REGISTRATION CARD

Print, type or use block letters.

Your name: Mr./Ms _____

Organization: _____ Dept. _____

Your title at organization: _____

Telephone: _____ Fax: _____

Organization's full address: _____

Country: _____

Date of purchase (Month/Day/Year): _____

Product Model	Product Serial No.	* Product installed in type of computer (e.g., Compaq 486)	* Product installed in computer serial No.

(* Applies to adapters only)

Product was purchased from:

Reseller's name: _____

Telephone: _____ Fax: _____

Reseller's full address: _____

Answers to the following questions help us to support your product:

1. Where and how will the product primarily be used?

Home Office Travel Company Business Home Business Personal Use

2. How many employees work at installation site?

1 employee 2-9 10-49 50-99 100-499 500-999 1000 or more

3. What network protocol(s) does your organization use?

XNS/IPX TCP/IP DECnet Others _____

4. What network operating system(s) does your organization use?

D-Link LANsmart Novell NetWare NetWare Lite SCO Unix/Xenix PC NFS 3Com 3+Open

Banyan Vines DECnet Pathwork Windows NT Windows NTAS Windows '95

Others _____

5. What network management program does your organization use?

D-View HP OpenView/Windows HP OpenView/Unix SunNet Manager Novell NMS

NetView 6000 Others _____

6. What network medium/media does your organization use?

Fiber-optics Thick coax Ethernet Thin coax Ethernet 10BASE-T UTP/STP

100BASE-TX 100BASE-T4 100VGAnyLAN Others _____

7. What applications are used on your network?

Desktop publishing Spreadsheet Word processing CAD/CAM

Database management Accounting Others _____

8. What category best describes your company?

Aerospace Engineering Education Finance Hospital Legal Insurance/Real Estate Manufacturing

Retail/Chainstore/Wholesale Government Transportation/Utilities/Communication VAR

System house/company Other _____

9. Would you recommend your D-Link product to a friend?

Yes No Don't know yet

10. Your comments regarding this product?



TO: _____

D-Link®
