



Quick Installation Guide for All Ethernet Switches

First Edition (September 2001)

6SWITCHML.01
Printed In Taiwan



RECYCLABLE

Introduction

This Quick Installation Guide gives step-by-step instructions for setting up all D-Link switches. Please note that the model you have purchased may appear slightly different from those shown in the illustrations.

For more detailed information about your switch, its components, making network connections, and technical specifications, please refer to the User's Guide included with your switch.

Step 1 Unpacking

Open the shipping carton and carefully unpack its contents. Please consult the packing list located in the User Guide to make sure all the correct items are present and undamaged. If any item is found missing or damaged, please contact your local D-Link reseller for replacement.

Items Included in Switch Packages				
Item	Type of Switch *			
	Unmanaged		Smart or Managed	
	Palm	Desktop/Rack Mount	Chassis	
Device	Yes	Yes	Yes	Yes
RS-232 Cable (Printer cable)	No	No	Yes	Yes
Rack Mounting Brackets	No	Yes	Yes	Yes
Rubber Feet	Yes	Yes	Yes	Yes
Power Cord (Adapter)	Yes	Yes	Yes	Yes
User's Guide	Yes	Yes	Yes	Yes
Multi-lingual QIG	Yes	Yes	Yes	Yes

*Stackable switches, unlike standalone switches, should also include a cascade cable.

Step 2 Switch Installation

For safe switch installation and operation, it is recommended that you:

- ◆ Visually inspect the power cord and see that it is secured fully to the AC power connector.
- ◆ Make sure that there is proper heat dissipation from and adequate ventilation around the switch.
- ◆ Do not place heavy objects on the switch.

Desktop or Shelf Installation

When installing the switch on a desktop or shelf, the rubber feet included with the device must be attached to the bottom at each corner of the device's base. Allow enough ventilation space between the device and the objects around it.

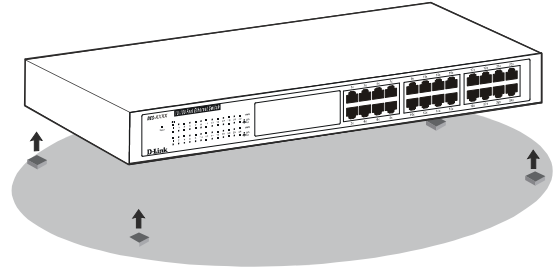


Figure 1. Attaching the rubber feet

Rack Installation

The switch can be mounted in an EIA standard size, 19-inch rack, which can be placed in a wiring closet with other equipment. To install, attach the mounting brackets on the switch's front panel (one on each side) and secure them with the screws provided (please note that these brackets are not designed for palm size switches).

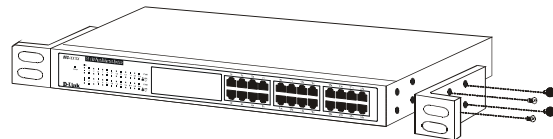


Figure 2. Attaching the mounting brackets

Then, use the screws provided with the equipment rack to mount the switch in the rack.

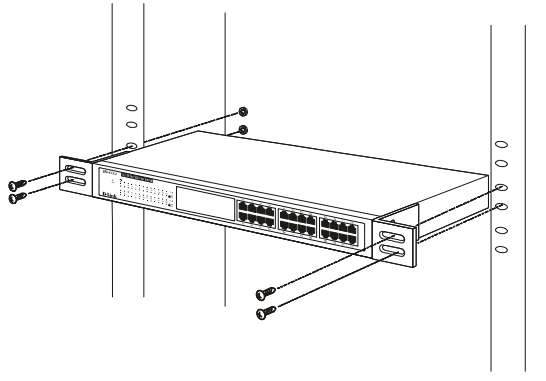


Figure 3. Installing the switch in a standard-sized equipment rack

Additional help is available online at <http://www.dlink.com>, <http://www.dlink.com.uk>, or through our offices listed at the back of the User's Guide.

Step 3 Understanding Device Network Connections

At this point, please connect the AC power cord into an electrical outlet (preferably one that is grounded and surge protected) and into the rear of the switch.

Once the switch is powered on, you will be able to immediately see whether the network connections are valid or not. A valid connection will cause the *Link/Act* LED on the front panel of the switch to light up for the corresponding port being connected.

Power Failure

As a precaution, the switch should be unplugged in case of power failure. When power is resumed, plug the switch back in.

Step 4 Plugging in the AC Power Cord

Computers, servers and routers can be connected to the switch by using media-appropriate fiber optic cabling. For more information about cable types, please refer to the User's Guide.

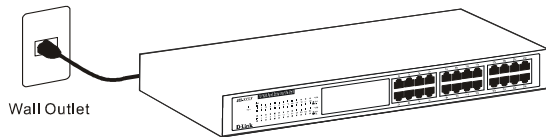


Figure 4. Plugging the switch into an outlet

Additional Information

If you are encountering problems setting up your network, please refer to the User's Guide that came with the switch. It contains many more rules, charts, explanations and examples to help you get your network up and running.